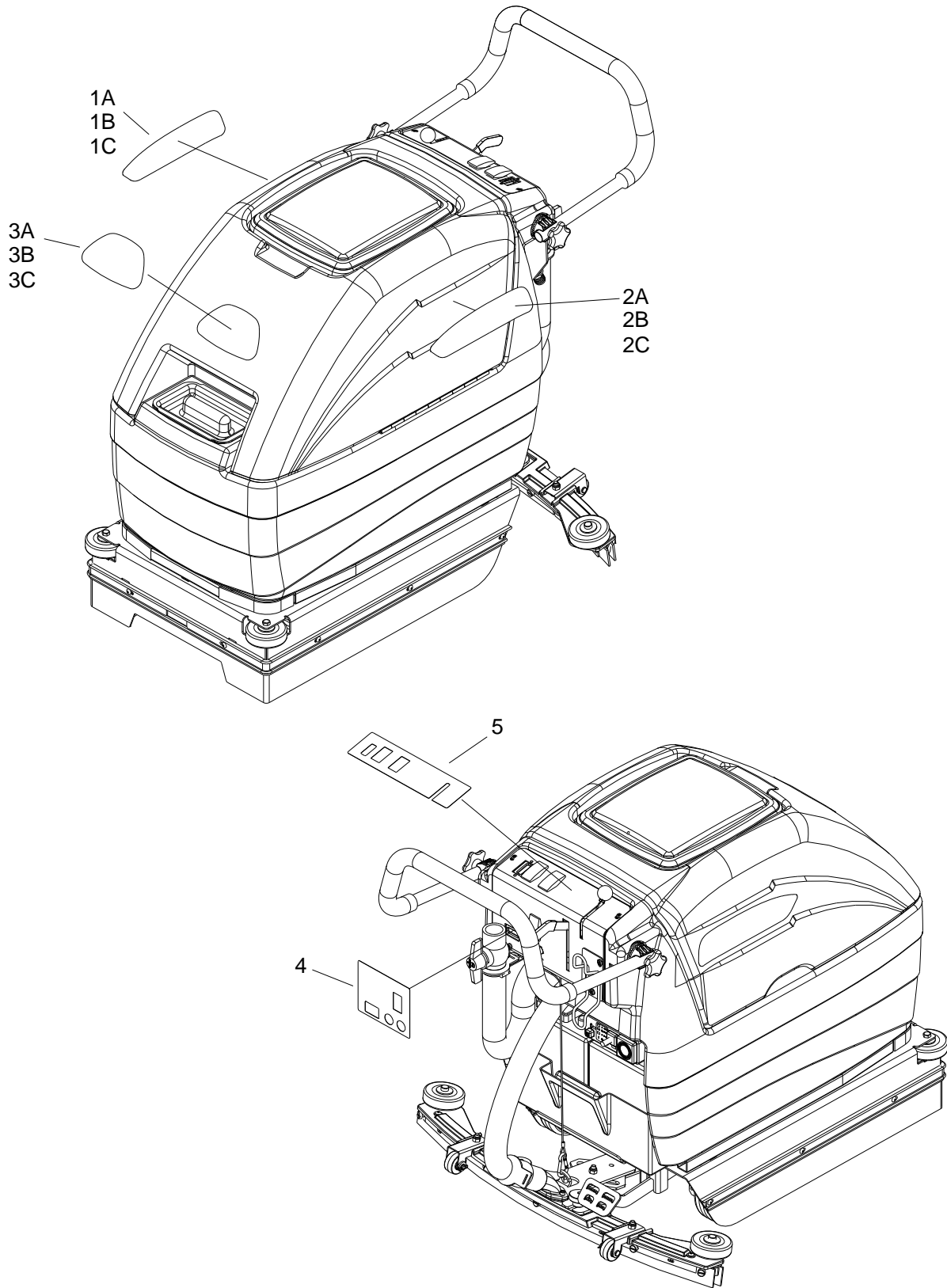


17" SCRUBBER PARTS LIST

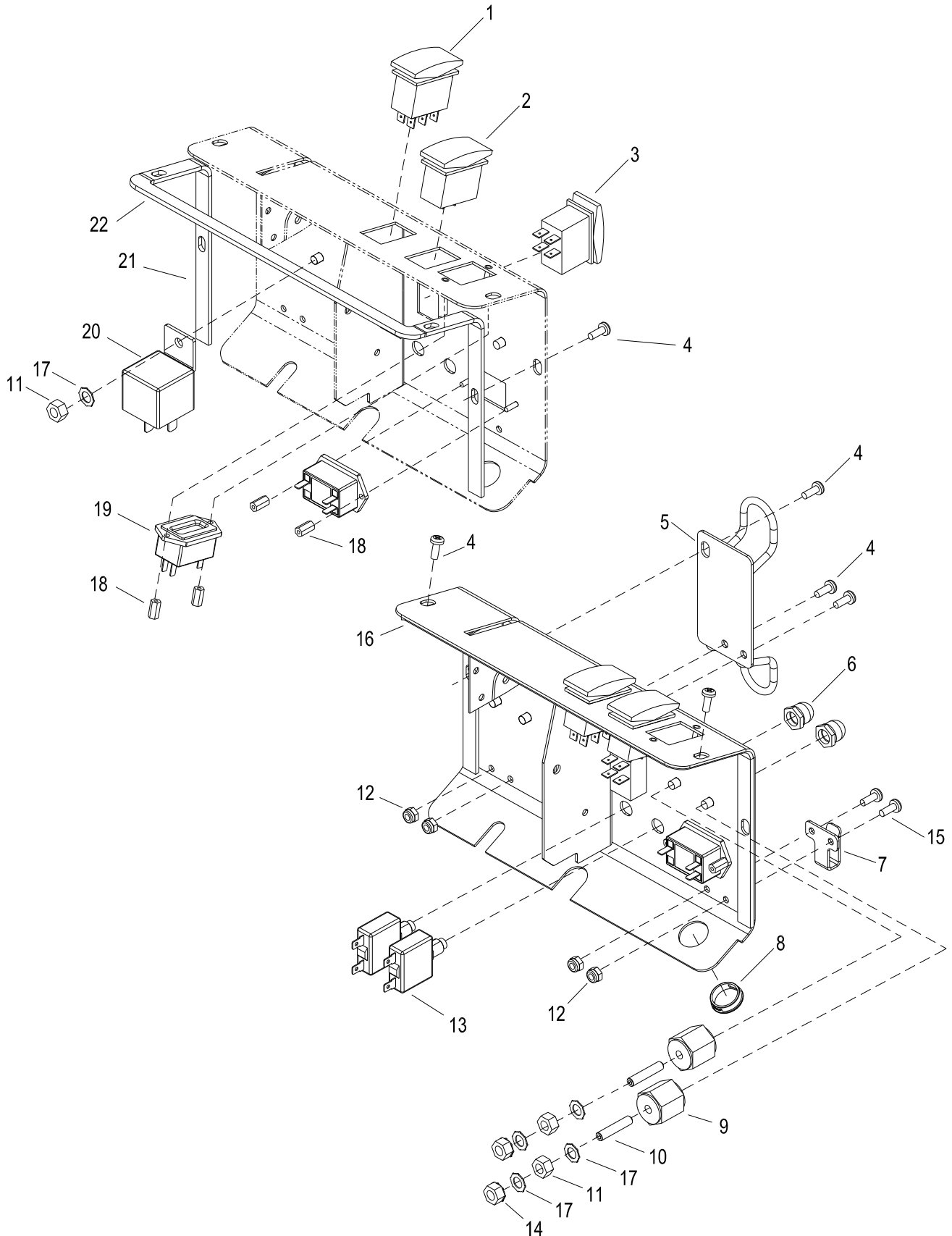
DECAL



DECAL

REF	PART NO.	PRV NO.	QTY	DESCRIPTION	SERIAL NO. FROM	NOTES:
1A	86243040	500301	1	LABEL, MAIN (RIGHT)		SCC172, QSCC172, SCHC172, SCH172, QSC172
1B	86244000	500789	1	LABEL, MAIN (RIGHT)		HCC172
1C	86220990	501086	1	LABEL, MAIN, AS17 (RIGHT)		AS17, AS17B, AS17T, AS17TH, AS17E, AS17I
2A	86243050	500302	1	LABEL, MAIN (LEFT)		SCC172, QSCC172, SCHC172, SCH172, QSC172
2B	86244010	500790	1	LABEL, MAIN (LEFT)		HCC172
2C	86221000	501087	1	LABEL, MAIN, AS17 (LEFT)		AS17 ALL MODELS
3A	86004970	50990	1	LABEL, LOGO DOMED		SCC172, QSCC172, SCHC172, SCH172, QSC172
3B	86244020	500794	1	LABEL, LOGO DOMED		HCC172
3C	86244520	501110	1	LABEL, LOGO DOMED		AS17 ALL MODELS
4	86220670	501027	1	LABEL, CIRCUIT BREAKER		
5	86220660	501026	1	LABEL, PANEL 17 IN		

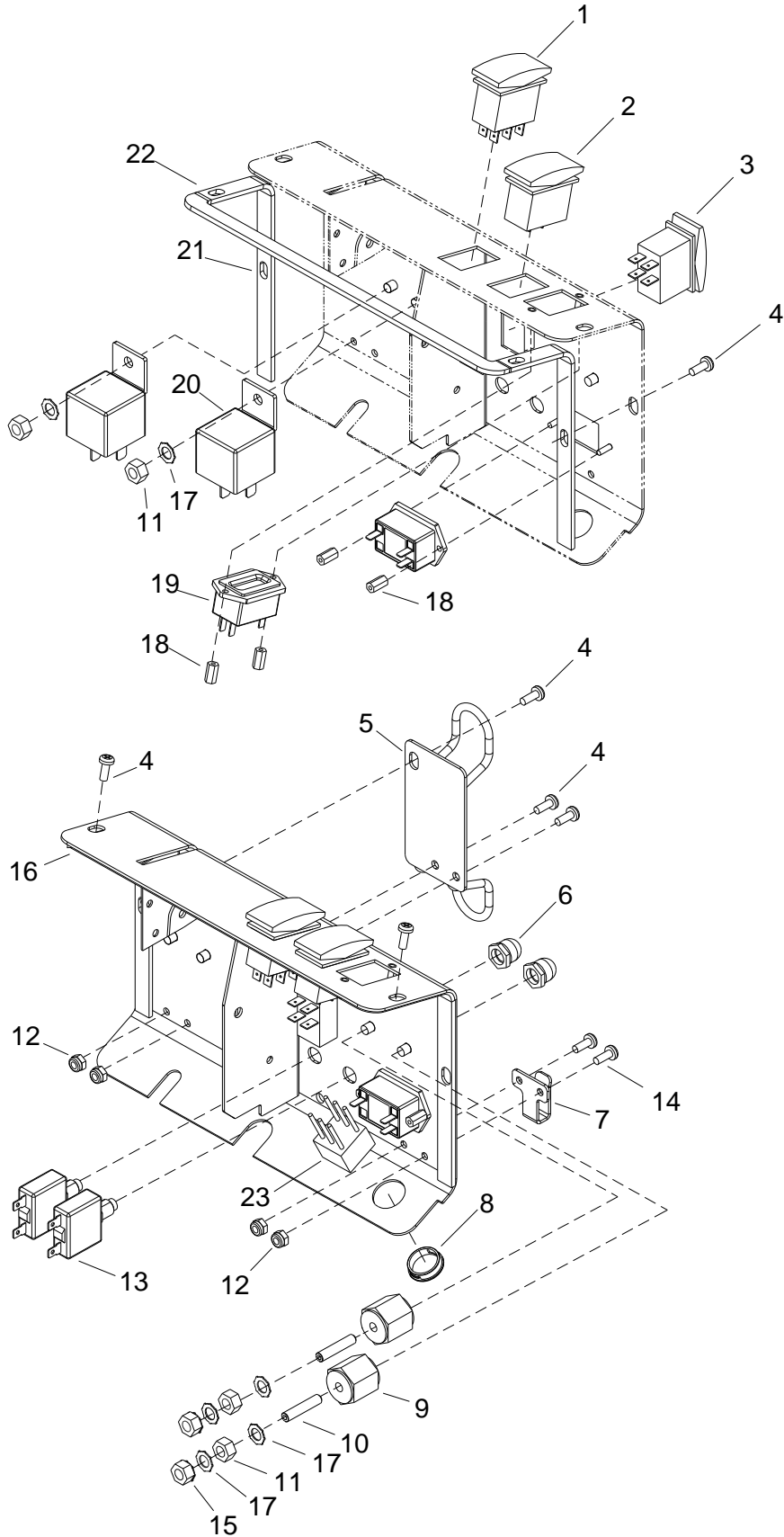
CONTROL PANEL- W/CHARGER



CONTROL PANEL – W/CHARGER

REF	PART NO.	PRV NO.	QTY	DESCRIPTION	SERIAL NO. FROM	NOTES:
1	86007130	72128	1	SWITCH, DPDT 2-POSITION ROCKER		
2	86007140	72130	1	SWITCH, SPST 2-POSITION ROCKER		
3	86257090	72181	1	SWITCH, DPST 2-POSITION ROCKER		
4	86276820	70740	6	SCR, 10-32 X 1/2 PTHMS BLK NP		
5	86218800	41540	1	HANGER, CHARGER CORD 172		
6	86215420	140888	2	BOOT, M12 CIRCUIT BREAKER		
7	86215860	140913	1	BRKT, HOSE HOOK		
8	86231240	140429	1	BUSHING, .75 ID X .25 H		
9	86255910	73659	2	STANDOFF, 1/4-20 X 1.0 HEX INS		
10	86006850	70393	2	SET SCR, 1/4-20 X 1.25 L		
11	86222310	57311	3	NUT, 1/4-20 UNC		
12	86005640	57030	4	NUT, 10-32 HEX NYLOCK		
13	86215680	140931	2	BREAKER, 25A, 250VAC 50VDC		
14	86005680	57047	2	NUT, 1/4-20 HEX NYLOCK		
15	86274290	70162	2	SCR, 10-32 X 3/8 PPHMS SS		
16	86222490	61480	1	PANEL, SCRUBBER 17 IN		
17	86010660	87025	5	WASHER, 1/4 LOCK EXT STAR SS		
18	86224880	730365	4	STANDOFF, HEX BRASS 6-32 THRD		
19	86246970	54192	1	METER, 24V BATTERY W/OUTPUT		
20	86251420	67610	1	RELAY, 24VDC 40A /BRKT		
21	86218070	35358	2	GASKET, ELECTRIC COVER SIDE		
22	86218080	35359	1	GASKET, ELECTRICAL COVER		

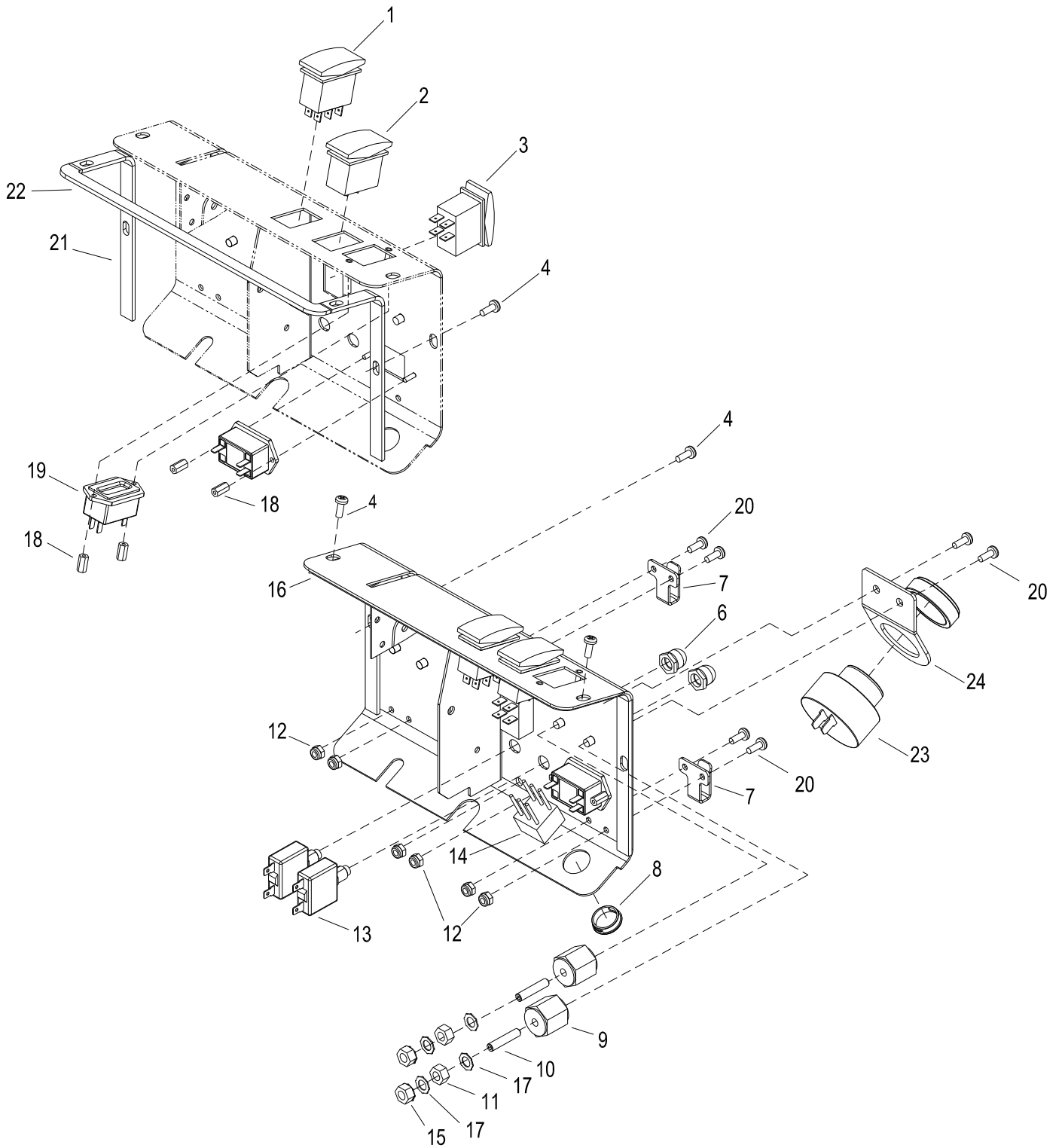
CONTROL PANEL- SCHC172 W/CHARGER



CONTROL PANEL SCHC172 W/CHARGER

REF	PART NO.	PRV NO.	QTY	DESCRIPTION	SERIAL NO. FROM	NOTES:
1	86007130	72128	1	SWITCH, DPDT 2-POSITION ROCKER		
2	86007140	72130	1	SWITCH, SPST 2-POSITION ROCKER		
3	86257090	72181	1	SWITCH, DPST 2-POSITION ROCKER		
4	86276820	70740	6	SCR, 10-32 X 1/2 PPHMS BLK NP		
5	86218800	41540	1	HANGER, CHARGER CORD 172		
6	86215420	140888	2	BOOT, M12 CIRCUIT BREAKER		
7	86215860	140913	1	BRKT, HOSE HOOK		
8	86231240	140429	1	BUSHING, .75 ID X .25 H		
9	86255910	73659	2	STANDOFF, 1/4-20 X 1.0 HEX INS		
10	86006850	70393	2	SET SCR, 1/4-20 X 1.25 L		
11	86222310	57311	4	NUT, 1/4-20 HEX UNC BLACK C		
12	86005640	57030	4	NUT, 10-32 HEX NYLOCK SS		
13	86215680	140931	2	BREAKER, 25A, 250VAC, 50VDC		
14	86274290	70162	2	SCR, 10-32 X 3/8 PPHMS SS		
15	86005680	57047	2	NUT, 1/4-20 HEX NYLOCK		
16	86222490	61480	1	PANEL, SCRUBBER		
17	86010660	87025	5	WASHER, 1/4 LOCK EXT STAR SS		
18	86224880	730365	4	STANDOFF, HEX BRASS 6-32 THRD		
19	86246970	54192	1	METER, 24V BATTERY W/OUTPUT		
20	86251420	67610	2	RELAY, 24VDC 40A W/BRKT		
21	86218070	35358	2	GASKET, ELECTRICAL COVER SIDE		
22	86218080	35359	1	GASKET, ELECTRICAL COVER		
23	86251400	67495	1	RELAY, BATTERY METER OUTPUT		

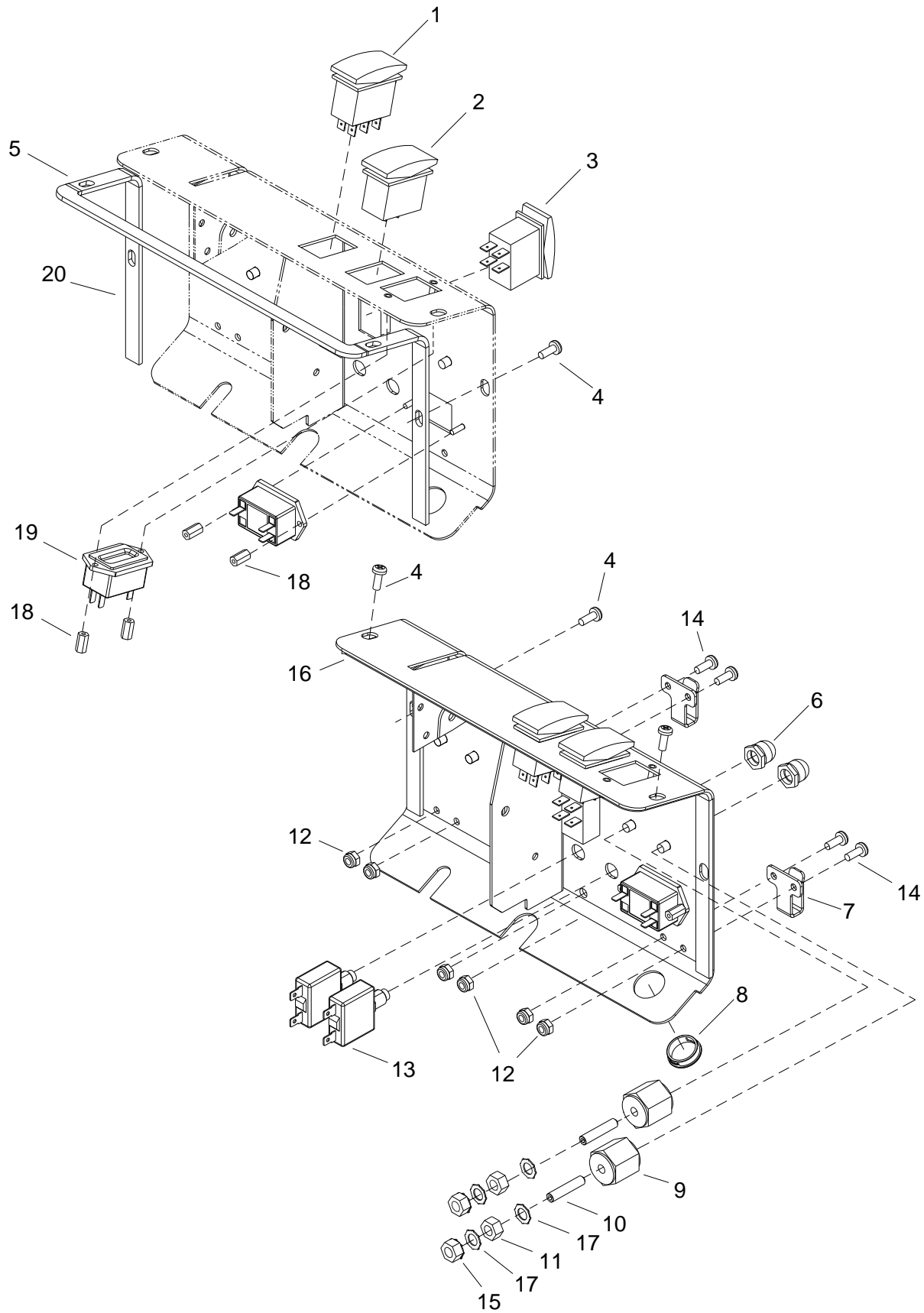
CONTROL PANEL – SCH172



CONTROL PANEL- SCH172

REF	PART NO.	PRV NO.	QTY	DESCRIPTION	SERIAL NO. FROM	NOTES:
1	86007130	72128	1	SWITCH, DPDT 2-POSITION ROCKER		
2	86007140	72130	1	SWITCH, SPST 2-POSITION ROCKER		
3	86257090	72181	1	SWITCH, DPST 2-POSITION ROCKER		
4	86276820	70740	4	SCR, 10-32 X 1/2 PTHMS BLK NP		
5	OPEN	-	-	-		
6	86215420	140888	2	BOOT, M12 CIRCUIT BREAKER		
7	86215860	140913	2	BRKT, HOSE HOOK		
8	86231240	140429	1	BUSHING, .75 ID X .25 H		
9	86255910	73659	2	STANDOFF, 1/4-20 X 1.0 HEX INS		
10	86006850	70393	2	SET SCR, 1/4-20 X 1.25 L		
11	86222310	57311	2	NUT, 1/4-20 HEX UNC BLACK C		
12	86005640	57030	6	NUT, 10-32 HEX NYLOCK SS		
13	86215680	140931	2	BREAKER, 25A, 250VAC, 50VDC		
14	86251400	67495	1	RELAY, BATTERY METER OUTPUT		
15	86005680	57047	2	NUT, 1/4-20 HEX NYLOCK		
16	86222500	61482	1	PANEL, SCRUBBER DRILLED		
17	86010660	87025	4	WASHER, 1/4 LOCK EXT STAR SS		
18	86224880	730365	4	STANDOFF, HEX BRASS 6-32 THRD		
19	86246970	54192	1	METER, 24V BATTERY W/OUTPUT		
20	86274290	70162	6	SCR, 10-32 X 3/8 PPHMS SS		
21	86218070	35358	2	GASKET, ELECTRICAL COVER SIDE		
22	86218080	35359	1	GASKET, ELECTRICAL COVER		
23	86231500	80882	1	BUZZER-PIEZO, 6-28 VDC		
24	86070500	140658	1	BRKT, BATTERY ALARM		

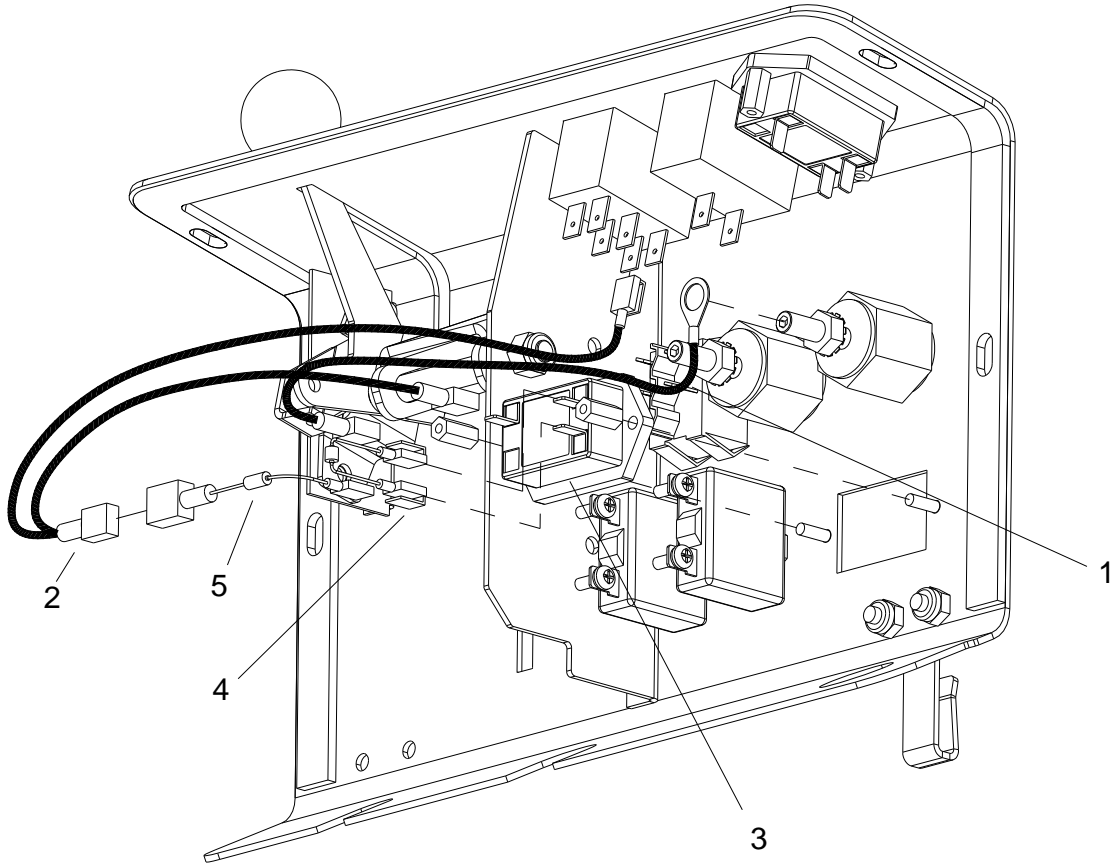
CONTROL PANEL-QSC172



CONTROL PANEL-QSC172

REF	PART NO.	PRV NO.	QTY	DESCRIPTION	SERIAL NO. FROM	NOTES:
1	86007130	72128	1	SWITCH, DPDT 2-POSITION ROCKER		
2	86007140	72130	1	SWITCH, SPST 2-POSITION ROCKER		
3	86257090	72181	1	SWITCH, DPST 2-POSITION ROCKER		
4	86276820	70740	4	SCR, 10-32 X 1/2 PPHMS BLK NP		
5	86218080	35359	1	GASKET, ELECTRICAL COVER		
6	86215420	140888	2	BOOT, M12 CIRCUIT BREAKER		
7	86215860	140913	2	BRKT, HOSE HOOK		
8	86231240	140429	1	BUSHING, .75 ID X .25 H		
9	86255910	73659	2	STANDOFF, 1/4-20 X 1.0 HEX INS		
10	86006850	70393	2	SET SCR, 1/4-20 X 1.25 L		
11	86222310	57311	2	NUT, 1/4-20 HEX UNC BLACK C		
12	86005640	57030	4	NUT, 10-32 HEX NYLOCK SS		
13	86215680	140931	2	BREAKER, 25A, 250VAC, 50VDC		
14	86274290	70162	2	SCR, 10-32 X 3/8 PPHMS SS		
15	86005680	57047	2	NUT, 1/4-20 HEX NYLOCK		
16	86222490	61480	1	PANEL, SCRUBBER		
17	86010660	87025	4	WASHER, 1/4 LOCK EXT STAR SS		
18	86224880	730365	4	STANDOFF, HEX BRASS 6-32 THRD		
19	86246970	54192	1	METER, 24V BATTERY W/OUTPUT		
20	86218070	35358	2	GASKET, ELECTRICAL COVER SIDE		

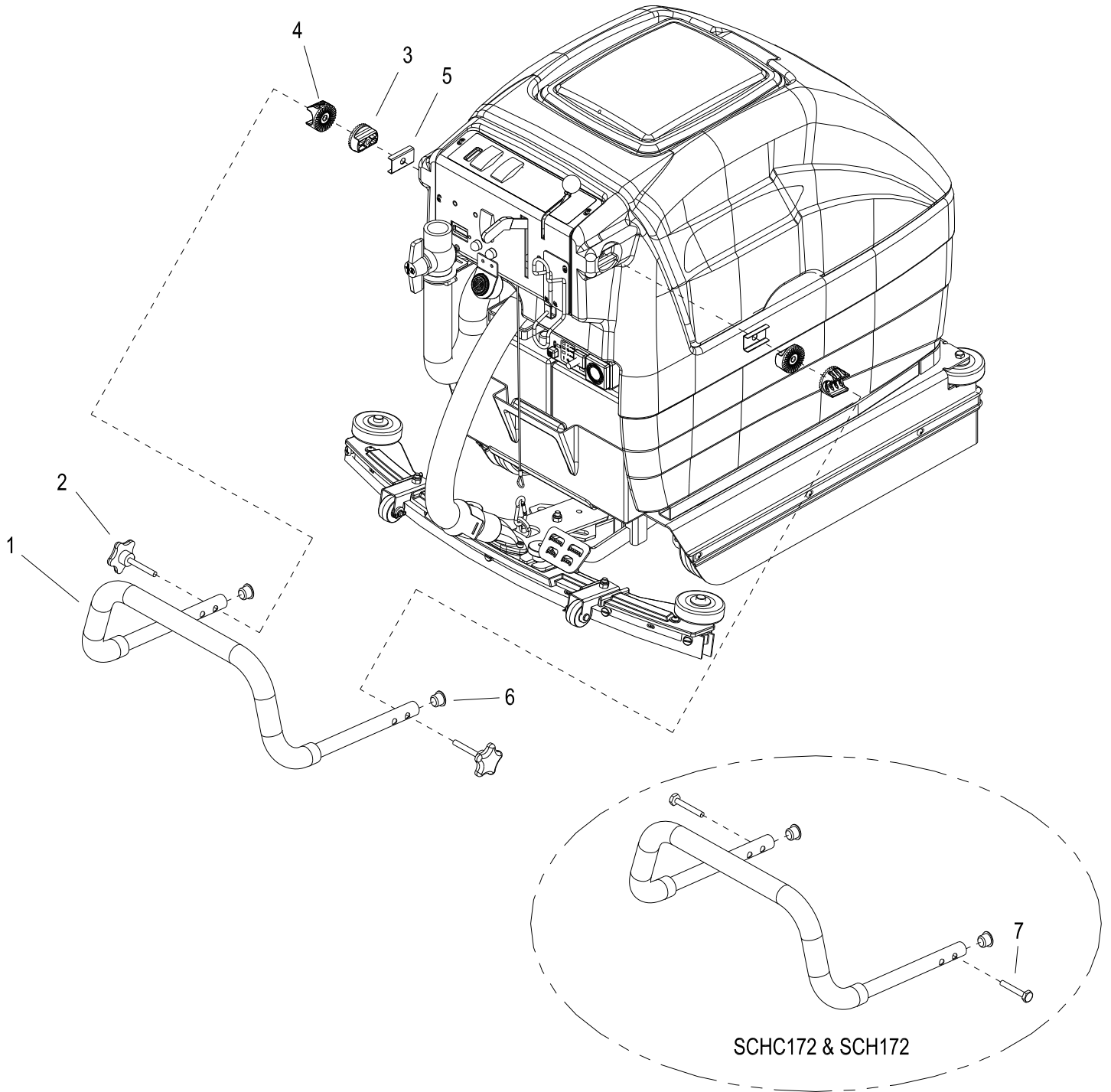
HOUR METER



HOUR METER

REF	PART NO.	PRV NO.	QTY	DESCRIPTION	SERIAL NO. FROM	NOTES:
1	86267420	880283	1	WIRE, 3.5 BLK/18 79011 X 76040		
2	86260500	880349	1	WIRE ASM, HOUR METER		
3	86005530	54154	1	METER, 12-48 VDC LED HOUR		
4	86261240	29243	1	DIODE ASM, 76031 X 76031		
5	86261340	67457	1	RESISTOR ASM, 2.7K OHM 1 WATT		

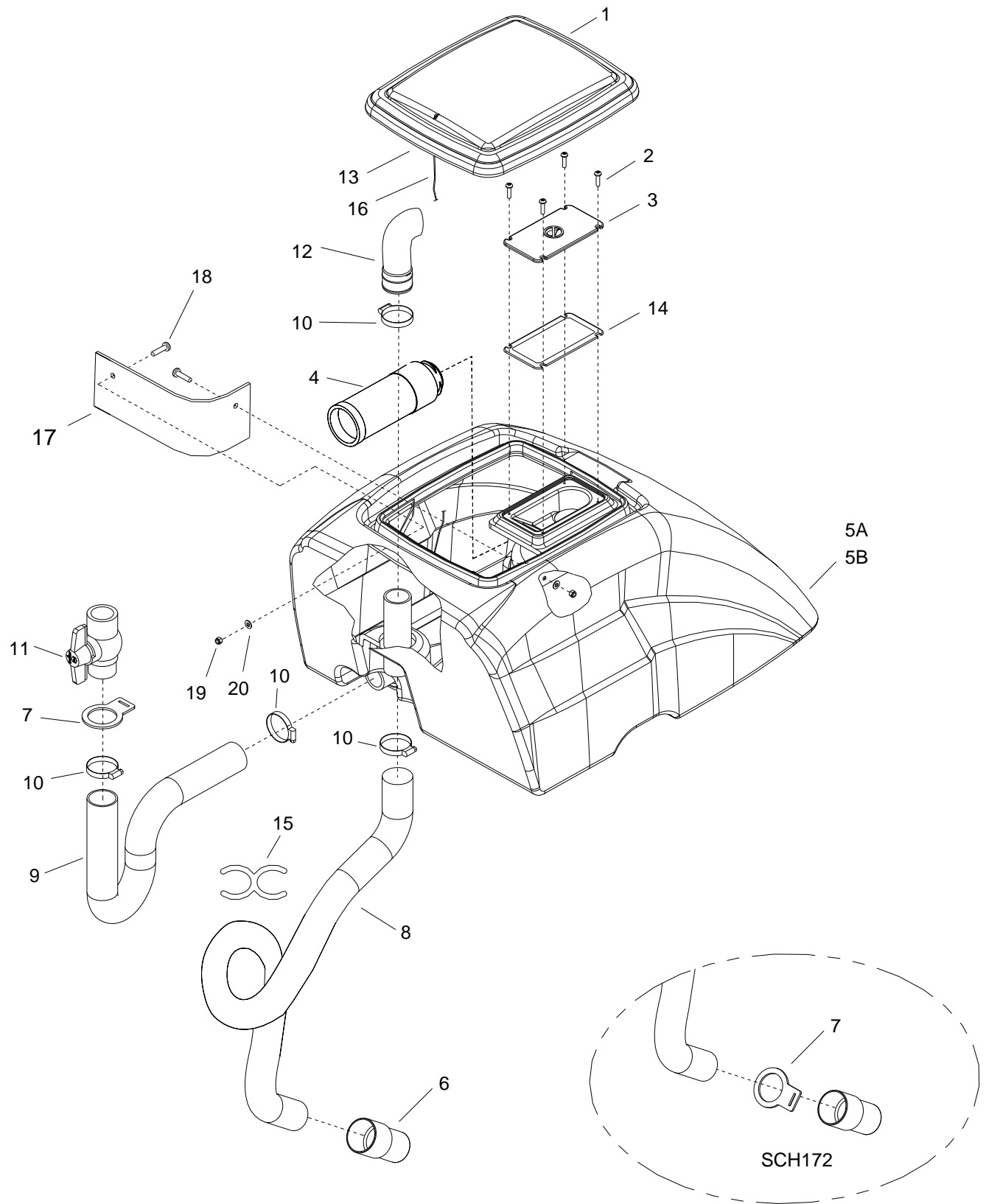
HANDLE



HANDLE

REF	PART NO.	PRV NO.	QTY	DESCRIPTION	SERIAL NO. FROM	NOTES:
1	86218620	38349	1	HANDLE, 17 IN SCRUBBER		
2	86004880	48079	2	KNOB, 2.25 OD X 5/16-18 X 2.19 STUD		ALL EXCEPT SCHC172 & SCH172
3	86221880	51416	2	LOCK, HANDLE, MALE		
4	86221890	51417	2	LOCK, HANDLE, FEMALE		
5	86069430	140439	2	BRKT, HANDLE MOUNT SUPPORT		
6	86216530	270143	2	CAP, HANDLE		
7	86277230	70815	2	SCR, 5/16-18 X 2.25 BSHCS SS		SCHC172, SCH172 ONLY

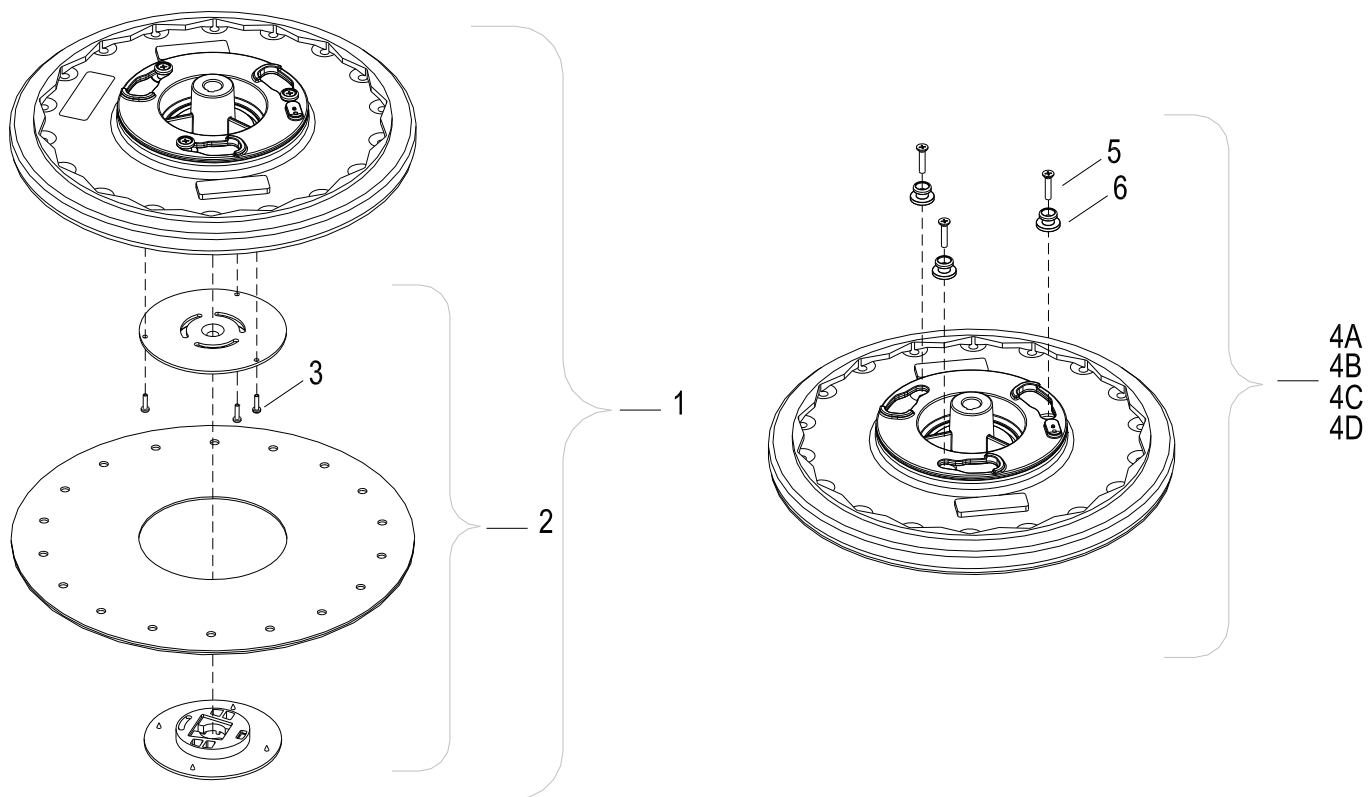
RECOVERY TANK



RECOVERY TANK

REF	PART NO.	PRV NO.	QTY	DESCRIPTION	SERIAL NO. FROM	NOTES:
1	86003340	28062	1	DOME, 13 X 11		
2	86006600	70114	4	SCR, #10 X 3/4 PPHST TYPE B SS		
3	86222860	620100	1	PLATE, VAC INLET COVER		
4	86003680	34380	1	FLOAT SHUT-OFF		
5A	86225290	75476	1	TANK, RECOVERY DK GRY		ALL EXCEPT SCHC172, SCH172
5B	86225280	75475	1	TANK, RECOVERY, TEAL		SCHC172, SCH172
6	86003010	27759	1	CUFF, HOSE, 1.5 IN BLACK		
7	86246070	51352	1	LANYARD, DRAIN HOSE		SCH172, QSC172 – QTY OF 2
8	86004290	39491	1	HOSE, 1.5 BLK VAC X 45"		
9	86004190	39337	1	HOSE, 1.5 BLK VAC X 24"		
10	86002390	20063	4	CLAMP, 1.75" WORM GEAR X .312		
11	86225690	84204	1	VALVE, 1.0 BALL PVC		
12	86240130	39560	1	HOSE, P-TRAP 45 DEG		
13	86004010	35274	1	GASKET, DOME EDGE		
14	86218100	35361	1	GASKET, VAC INLET		
15	86216790	20109	1	CLIP, VAC HOSE COIL		
16	86279880	27425	1	CORD, 1/8" X 16"		
17	86215060	140967	1	BAFFLE, AIR INTAKE		
18	86223820	70926	2	SCR, 10-32 X .748 PPHMS SS C		
19	86222280	57307	2	NUT, 10-32 HEX NYLOCK SS C		
20	86010650	87018	2	WASHER, #10 X 9/16 OD		

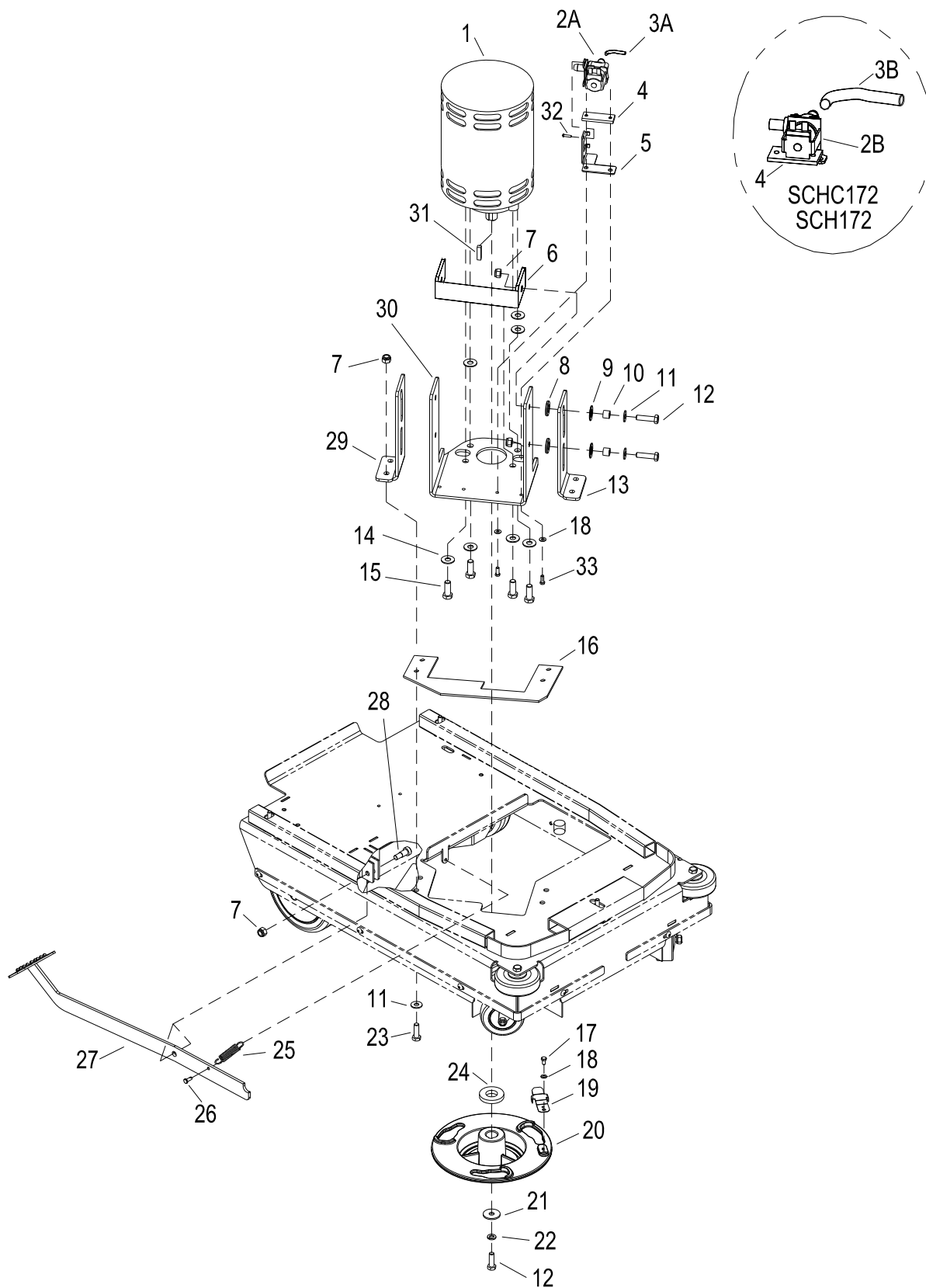
SCRUB BRUSH/PAD DRIVER



SCRUB BRUSH/PAD DRIVER

REF	PART NO.	PRV NO.	QTY	DESCRIPTION	SERIAL NO. FROM	NOTES:
1	86000680	02464	1	PAD DRIVER, 17" BA		
2	86005070	51284	1	LOCK, PAD CENTER SNAP, TWO STEP		
3	86276580	70694	3	SCR, 8-32 X 3/4 PTHMS SS		
4A	86000650	02461	-	BRUSH, 17" POLYPRO BA		
4B	86000660	02462	-	BRUSH, NYLON BA		
4C	86000670	02463	-	BRUSH, 17" GRIT BA		
4D	86000700	02509	-	BRUSH, NYLON UNTRIMMED		
5	86277160	70799	3	SCR, 1/4-20 X 1.25 PFHMS PLTD		
6	86004990	51076	3	LUG, BRUSH MOUNTING		

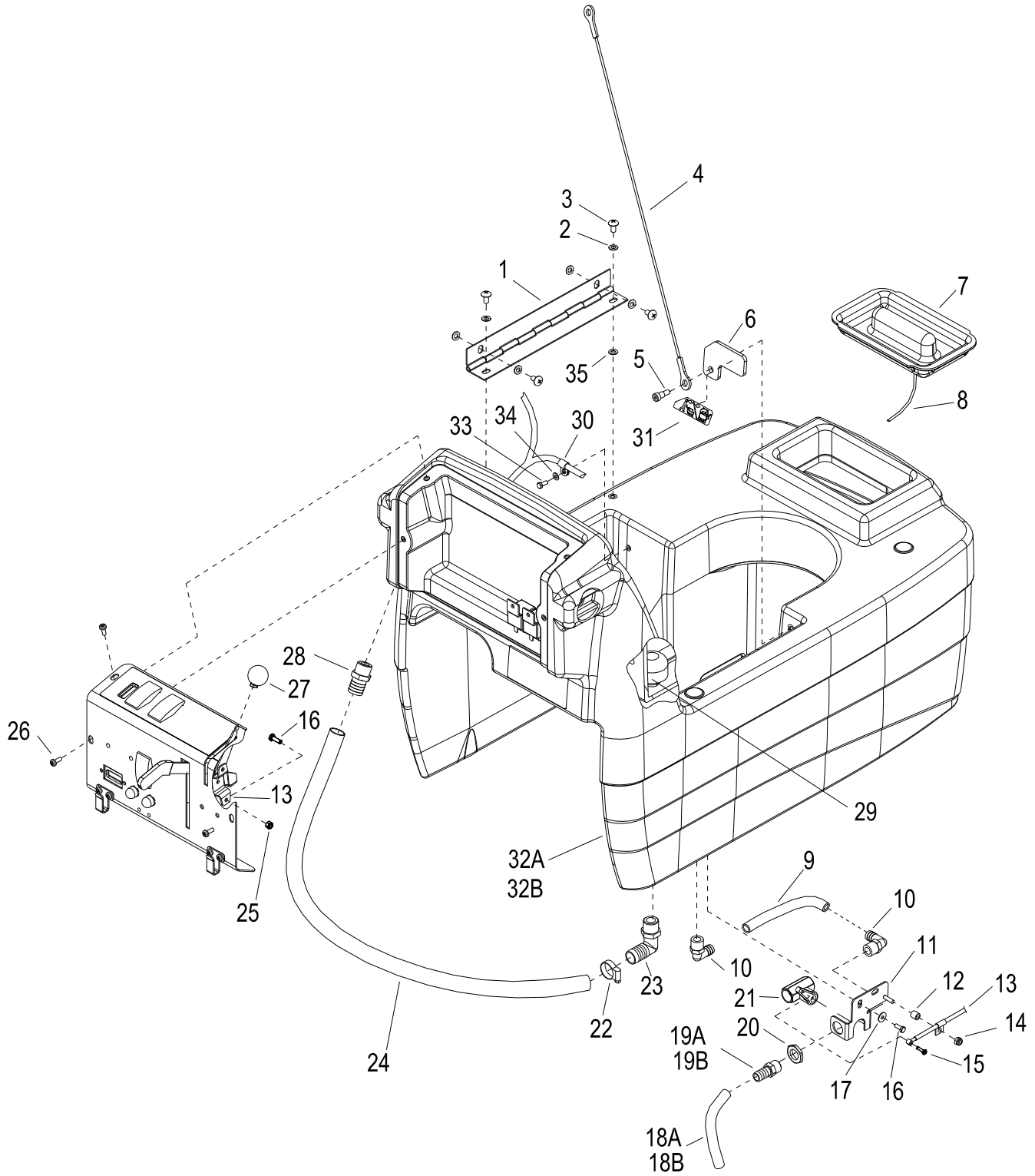
SCRUB MOTOR/LIFT



SCRUB MOTOR/LIFT

REF	PART NO.	PRV NO.	QTY	DESCRIPTION	SERIAL NO. FROM	NOTES:
1	86005320	53630	1	MOTOR ASM, 24VDC 200 RPM GEAR		
2A	86010610	84203	1	VALVE, 24VDC SOL 3/8 HOSE CIM		ALL EXCEPT SCHC172, SCH172
2B	86010540	84141	1	VALVE, 24VDC SOL 1/2 HOSEBARB		SCHC172, SCH172
3A	86282080	39567	1	HOSE 3/8 NYLOBRD X 3.5		ALL EXCEPT SCHC172, SCH172
3B	82681470	39386	1	HOSE, 1/2 VINYL X 4		SCHC172, SCH172
4	86082020	62878	1	PLATE, SOLENOID MOUNT		
5	86215990	149987	1	BRKT, SOLENOID VALVE 172		
6	86070650	140711	1	BRKT, MTR MNT STIFFENER		
7	86270830	57023	9	NUT, 5/16-18 HEX NYLOCK SS		
8	86259400	87205	4	WASHER, THRUST .51 ID X 1 OD BRO		
9	86259410	87206	4	WASHER, THRUST .51 ID X 1 OD X .063		
10	86231250	140430	4	BUSHING, .5 OD X .31 ID X .4 L SS		
11	86010670	87029	8	WASHER, 5-16 SS FLAT		
12	86007020	70673	5	SCR, 5/16 -18 X 1.25 HHCS SS		
13	86072600	14431	1	BRKT, MOTOR TRACK		
14	86278910	87003	7	WASHER, 3/8 X 7/8 OD SS		
15	86006740	70266	4	SCR, 3/8-16 X 1" HHCS GR5		
16	86073580	620043	1	BRKT, DECK STIFFENER		
17	86276800	70734	1	SCR, 10-32 X 3/8 HHMS SS		
18	86010640	87016	3	WASHER, #10 EXT STAR SS		
19	86224610	730359	1	SPRING, BRUSH CLIP		
20	86003430	29237	1	DRIVER, BRUSH ASSIST		
21	86279630	87212	1	WASHER, .344 ID X 1.13 OD X .09 T PLT		
22	86279130	87083	1	WASHER, 5/16 SPLIT LOCK PLTD		
23	86006560	70083	4	SCR, 5/16-18 X 1HHCS SS		
24	86225820	87508	1	WASHER, .78 ID X 1.63 OD X .197 PLT		
25	86007690	73240	1	SPRING, EXT .50 OD X 2.25 L X .063 W		
26	86272340	66191	1	PIN, CLEVIS 3/16 X .50 PLTD		
27	86221740	51414	1	LEVER, MOTOR LIFT		
28	86278360	70731	1	SHOULDER BOLT, 3/8 OD X 1/2L SS		
29	86072610	14432	1	BRKT, MOTOR TRACK		
30	86072590	14430	1	BRKT, MOTOR MOUNT		
31	86004810	48040	1	KEY, 1/4 SQ X 1.00		
32	86276730	70719	2	SCR, M4 X 8MM LG PPHMS		
33	86276770	70726	2	SCR, 10-24 X 5/8 HHMS SS		

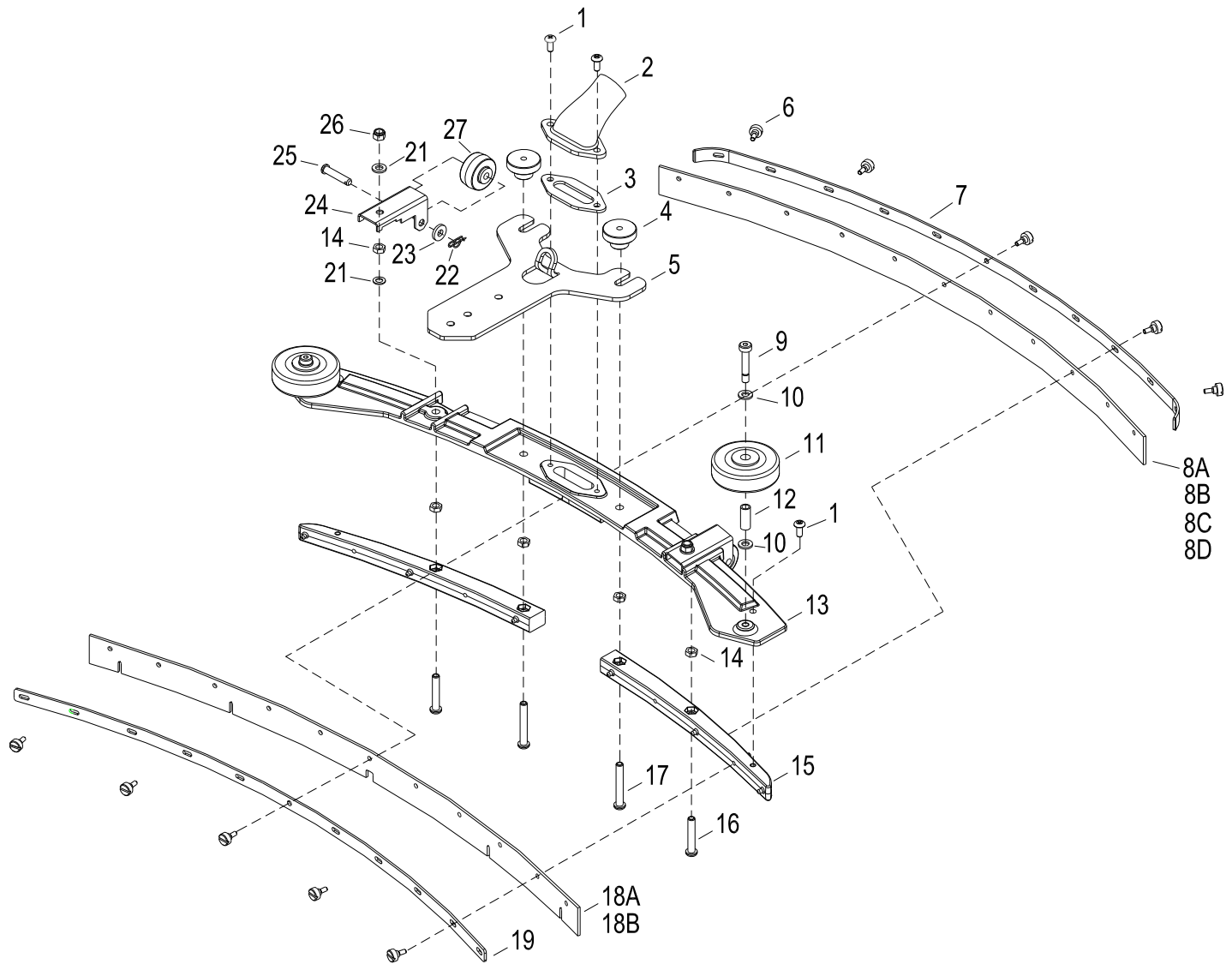
SOLUTION TANK



SOLUTION TANK

REF	PART NO.	PRV NO.	QTY	DESCRIPTION	SERIAL NO. FROM	NOTES:
1	86239620	41385	1	HINGE, 17 IN SCRUBBER		
2	86010660	87025	6	WASHER, 1/4 LOCK EXT STAR SS		
3	86276700	70716	4	SCR, 1/4-20 X 1/2 PTHMS		
4	86003210	27906	1	CABLE, TANK LANYARD		
5	86278260	70298	2	SHOULDER BOLT, 5/16 X 3/8 SSHLD		
6	86215820	140886	1	BRKT, TANK SUPPORT		
7	86234790	27827	1	COVER, SOLUTION TANK		
8	86279880	27425	1	CORD, 1/8" X 16"		
9	86282110	39571	1	HOSE, 1/2" ID WIRE BOUND X 5.5"		
10	86197940	40027	2	HOSEBARB, 3/8 MPT X 1/2 90 D		
11	86069410	140406	1	BRKT, VALVE MOUNT		
12	86224430	730375	1	SPACER, .259 ID X 3/8 OD X .37		
13	86221750	51418	1	LEVER, SOLUTION CABLE		
14	86222280	57307	1	NUT, 10-32 HEX NYLOCK SS		
15	86006860	70403	1	SCR, #10 X 1/2 PPHST TYPE B		
16	86006980	70591	3	SCR, 10-32 X 1/2 HHCS SS		
17	86010650	87018	1	WASHER, #10 X 9/16 OD		
18A	86282090	39569	1	HOSE, 3/8" ID X .05 W CLR X 12" NYLOBRD		ALL EXCEPT SCHC172, SCH172
18B	86281640	39471	1	HOSE, 1/2" VINYL X 15" NYLOBRD		SCHC172, SCH172
19A	86240430	40083	1	HOSEBARB, 3/8 MPT X 3/8 NYLON		ALL EXCEPT SCHC172, SCH172
19B	86001590	40049	1	HOSEBARB, 3/8 MPT X 1/2 NYLON		SCHC172, SCH172
20	86248020	81380	1	NUT, SEALED BULKHEAD		
21	86225680	84201	1	VALVE, 3/8 FPT BALL		
22	86233110	20018	1	CLAMP, 1.0 WORM GEAR		
23	86219160	40108	1	HOSEBARB, 1/2 MPT X 3/4 90D		
24	86282100	39570	1	HOSE, 3/4 ID X .12 W CL X 36 L		
25	86005640	57030	2	NUT, 10-32 HEX NYLOCK		
26	86276820	70740	6	SCR, 10-32 X 1/2 PPHMS BLK		
27	86242100	48083	1	KNOB, SOLUTION LEVER		
28	86240810	830156	1	HOSEBARB, 1/2 MPT X 3/4		
29	86007350	730040	1	STRAINER, 3/8" NPT 20 MESH		
30	86198450	20005	1	CLAMP, 5/16 NYLON		
31	86221020	501102	1	LABEL, VENT/DRAIN		
32A	86032460	75324	1	TANK, SOLUTION		ALL EXCEPT HCC172
32B	86032470	75329	1	TANK, SOLUTION		HCC172
33	86274290	70162	1	SCR, 10-32 X 3/8 PPHMS SS		
34	86279190	87095	1	WASHER, #10 FLAT PLTD		
35	86279790	87489	1	WASHER, #10 X 9/16 OD		

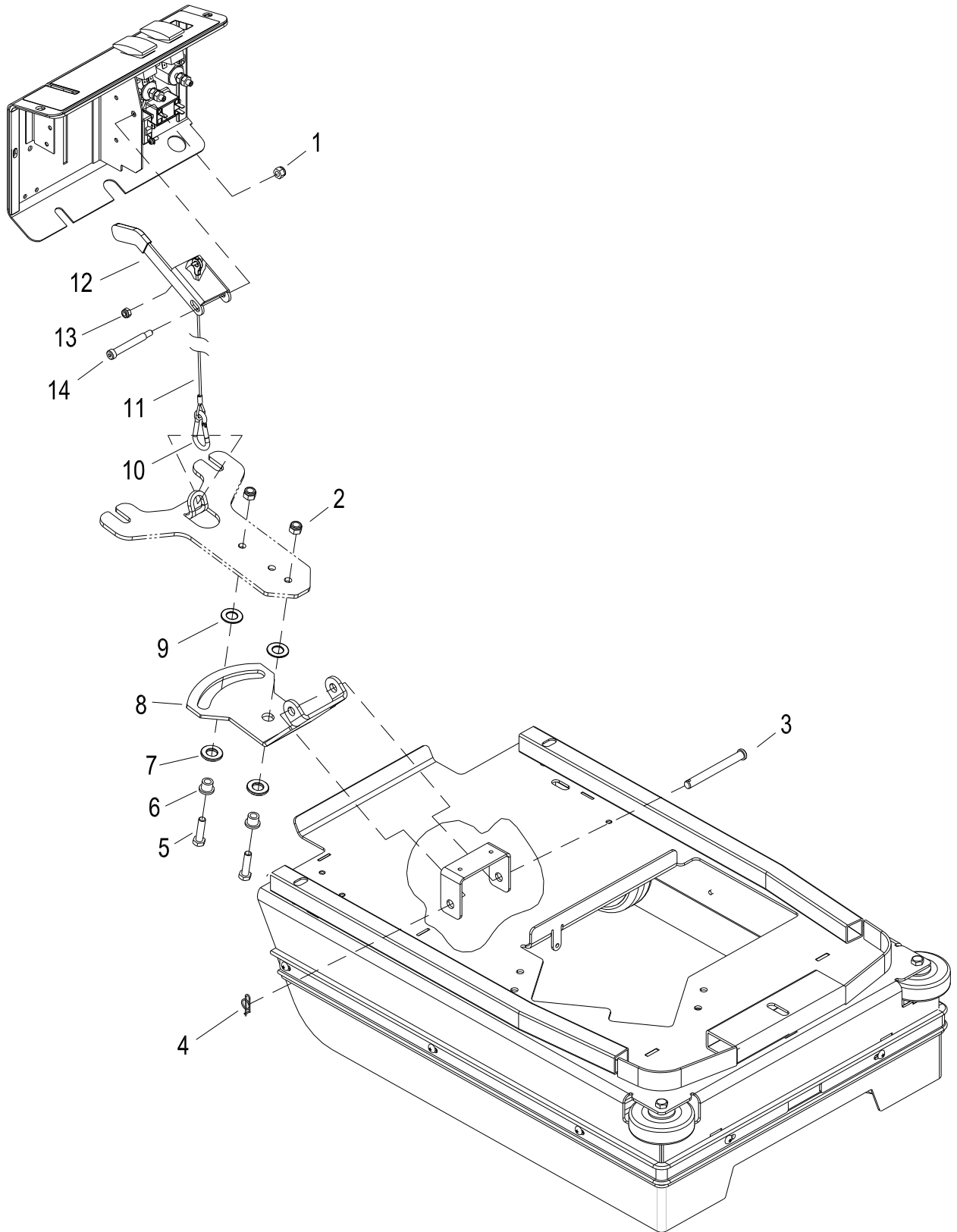
SQUEEGEE



SQUEEGEE

REF	PART NO.	PRV NO.	QTY	DESCRIPTION	SERIAL NO. FROM	NOTES:
1	86223740	70872	4	SCR, 1/4-20 X .59 PPHMS SS		
2	86225450	78936	1	TUBE, 17 IN. TRANSITION		
3	86218050	35356	1	GASKET, SQG TRANSITION		
4	86219690	48080	2	KNOB, 1.5 OD X 5/16-18		
5	86215800	140883	1	BRKT, SQUEEGEE MOUNT		
6	86219730	48112	10	KNOB, SQUEEGEE RETAINER		
7	86224950	730366	1	STRAP, SQUEEGEE BLADE, REAR		
8A	86215360	730372	1	BLADE, SQUEEGEE, REAR		
8B	86007370	730058	1	BLADE, RED REAR SOFT DURO 40		OPTIONAL
8C	86007260	730003	-	BLADE, BLU, RIB FRT/REAR URETHANE		OPTIONAL
8D	86007610	730227	-	BLADE, RED, REAR MEDIUM DURO 60		OPTIONAL
9	86224240	70870	2	SHOULDBE BLT, .305 OD X 1.77 SS		
10	86225790	87504	4	WASHER, 5/16 X .63 SS		
11	86011020	89202	2	WHEEL, 3" DIA CUSHION RUBBER		
12	86001350	140390	2	BUSHING, SPANNER .435 X 1.10		
13	86224820	730361	1	SQUEEGEE, 17 IN		
14	86222300	57309	6	NUT, 5/16-18 JAM SS		
15	86224840	730362	2	SQUEEGEE, INSERT 17 IN		
16	86223750	70873	2	SCR, 5/16-18 X 1.77 BHSMS SS		
17	86223760	70874	2	SCR, 5/16-18 X 2.17 BHSMS SS		
18A	86215350	730371	1	BLADE, SQUEEGEE FRONT		
18B	86007360	730057	1	BLADE, RED FRONT 5 SLOT DURO 40		OPTIONAL
19	86087870	730002	1	STRAP, FRONT AND REAR STANDARD		
20	OPEN	-	-	-		
21	86225780	87503	4	WASHER, 5-16 X .55 SS		
22	86008660	80605	2	COTTER, 5/16" RING		
23	86279650	87222	2	WASHER, SEAL 5/16 X 3/4 OD SS		
24	86215810	140884	2	BRKT, SQG WHEEL		
25	86222590	66876	2	PIN, CLEVIS 5/16 1.469 C		
26	86222290	57308	2	NUT, 5/16-18 HEX NYLOCK SS		
27	86010880	89058	2	WHEEL, 1.5 OD X .31 ID X .75 W GRY		

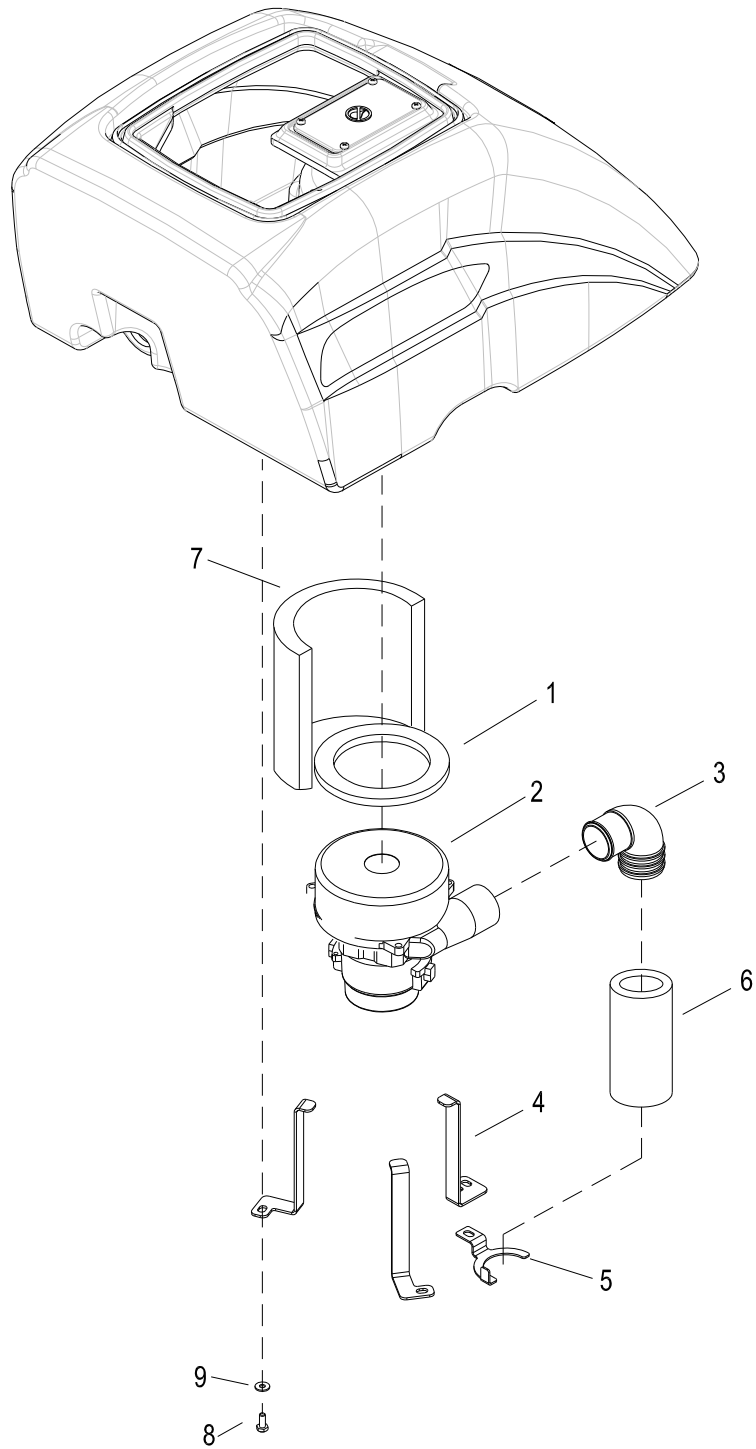
SQUEEGEE LIFT



SQUEEGEE LIFT

REF	PART NO.	PRV NO.	QTY	DESCRIPTION	SERIAL NO. FROM	NOTES:
1	86005680	57047	1	NUT, 1/4-20 HEX NYLOCK		
2	86270830	57023	2	NUT, 5/16-18 HEX NYLOCK SS		
3	86249050	82058	1	PIN, CLEVIS 3/8 X 3.50 PLTD		
4	86008670	80606	1	COTTER, 3/8" RING		
5	86007020	70673	2	SCR, 5/16-18 X 1.25 HHCS SS		
6	86228840	09124	2	BEARING, FLANGED .314 ID X .502 OD		
7	86259400	87205	2	WASHER, THRUST .51 ID X 10 D BRO		
8	86006320	66338	1	PLATE, SQUEEGEE LIFT		
9	86259410	87206	2	WASHER, THRUST .51 ID X 1 OD X .063		
10	86239670	41386	1	HOOK, SAFTEY CLIP		
11	86003220	27921	1	CABLE, SQUEEGEE LIFT 21.4 L		
12	86246460	51351	1	LEVER, SQUEEGEE LIFT		
13	86005640	57030	1	NUT, 10-32 HEX NYLOCK		
14	86136860	70356	1	SHOULDER BOLT, 5/16 OD X 2.0 L		

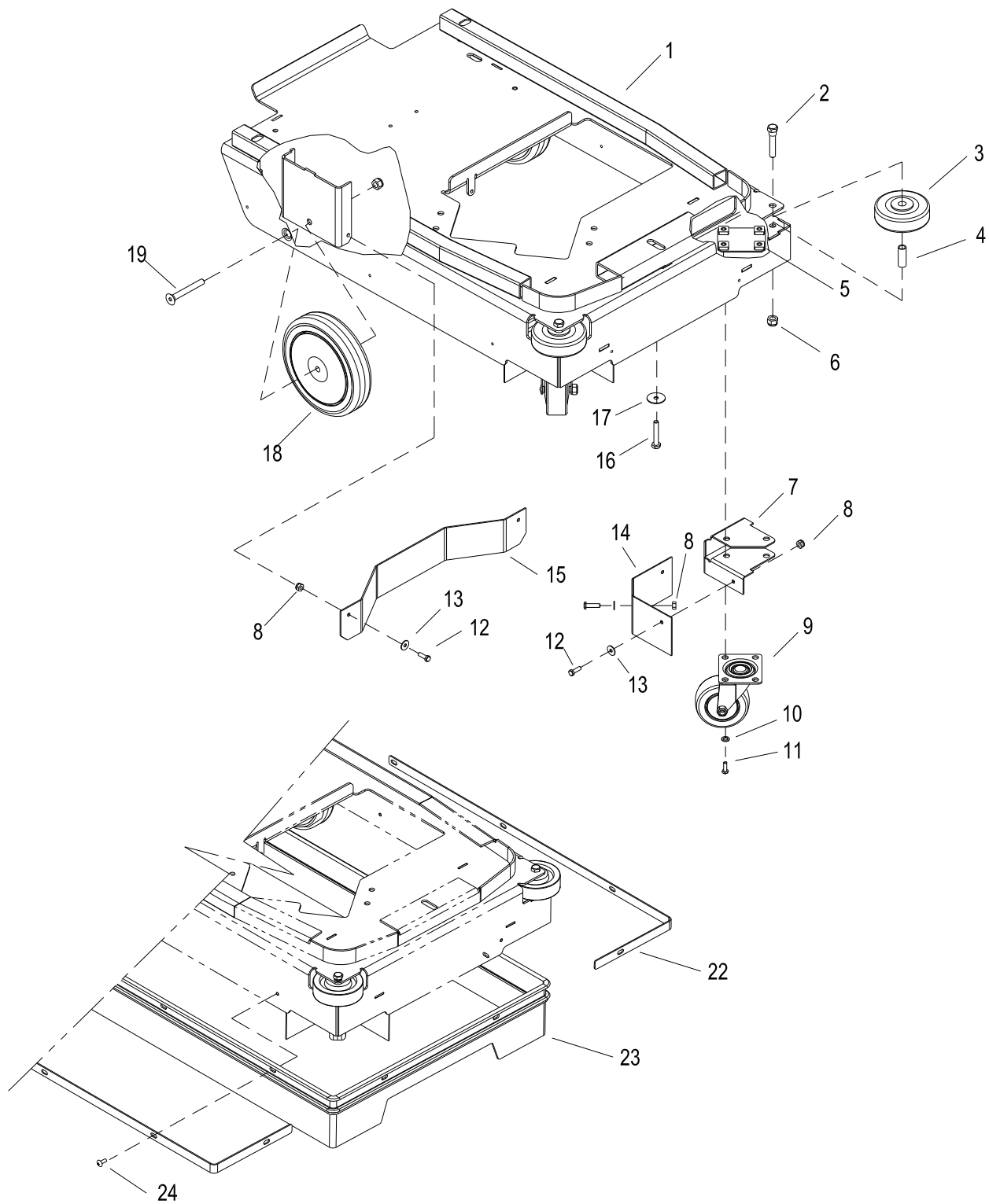
VACUUM



VACUUM

REF	PART NO.	PRV NO.	QTY	DESCRIPTION	SERIAL NO. FROM	NOTES:
1	86003760	35166	1	GASKET, VAC MTR		
2A	86005440	53797	1	VAC MOTOR, 24VDC 2ST TD		
2B	86135310	140686	-	BRUSH SET, 24/36V VAC, WINDSOR		SERVICE ONLY
3	86217750	31374	1	ELBOW, VAC MUFFLER 90 DEG		
4	86072620	14433	3	BRKT, VAC MOTOR MNT		
5	86216000	149988	1	BRKT, MUFFLER 172		
6	86222220	54204	1	MUFFLER, VACUUM FOAM 172		
7	86215370	140896	1	BLANKET, SOUND REDUCTION		
8	86273750	70011	3	SCR, 1/4-20 X 5/8 HHCS SS NP		
9	86010630	87013	3	WASHER, 1/4 ID X 5/8 OD SS		

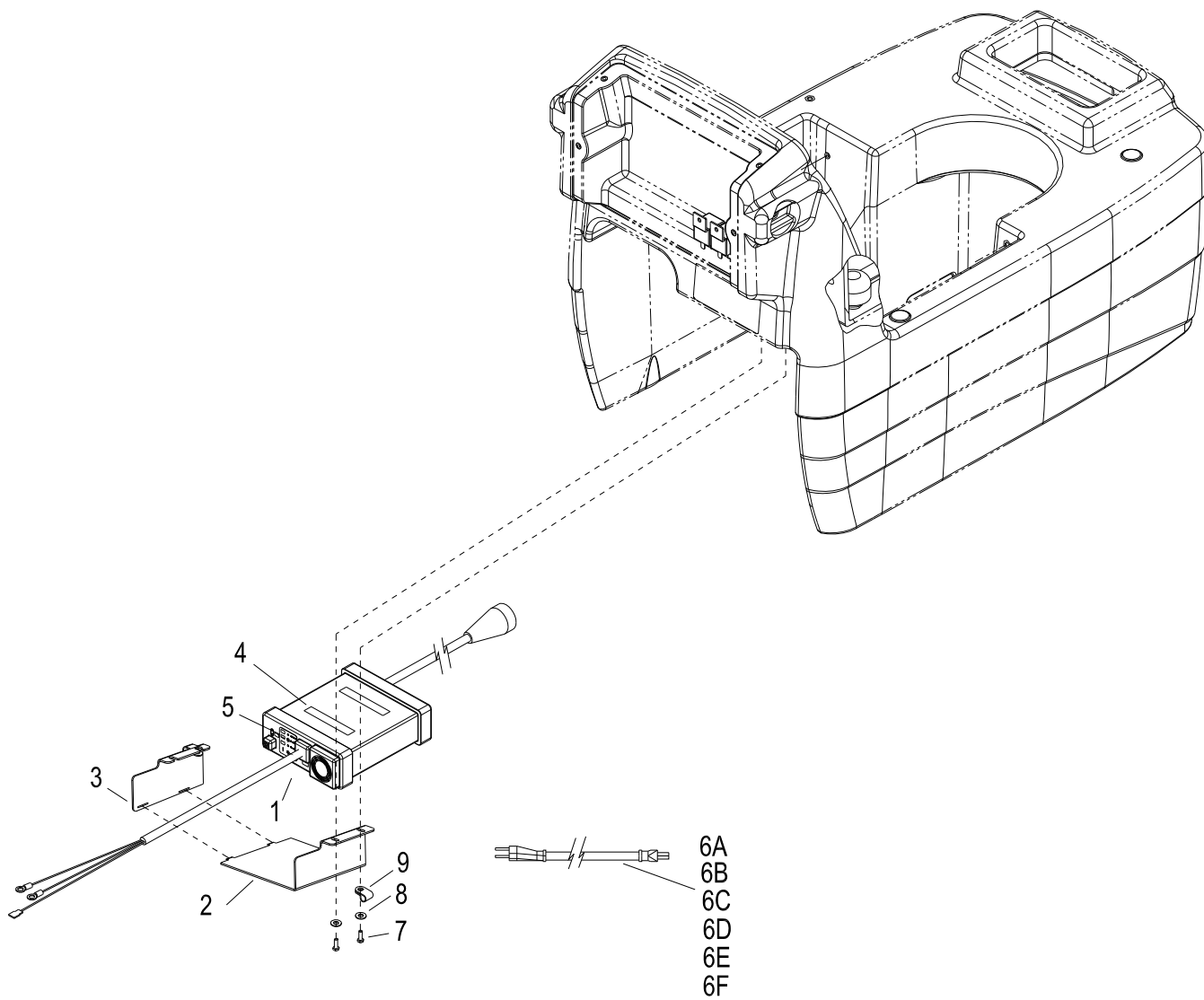
WHEEL & FRAME



WHEEL & FRAME

REF	PART NO.	PRV NO.	QTY	DESCRIPTION	SERIAL NO. FROM	NOTES:
1	86003700	34421	1	FRAME, 17 IN SCRUBBER		
2	86223770	70875	2	SCR, 5/16-18 X 1.89 HHCS SS C		
3	86011020	89202	2	WHEEL, 3" DIA CUSHION RUBBER		
4	86216400	140903	2	BUSHING, SPANNER .435 X 1.19		
5	86078910	620029	2	PLATE, CASTER MOUNT		
6	86270830	57023	4	NUT, 5/16-18 HEX NYLOCK SS		
7	86070600	140692	2	BRKT, SPLASH GUARD		
8	86271770	57252	8	NUT, 10-24 HEX NYLOCK SS		
9	86002340	18045	2	CASTER, 3.0 SWIVEL		
10	86279130	87083	8	WASHER, 5/16 SPLIT LOCK PLTD		
11	86006560	70083	8	SCR, 5/16-18 X 1 HHCS SS NP		
12	86276770	70726	8	SCR, 10-24 X 5/8 HHMS SS		
13	86010650	87018	8	WASHER, #10 X 9/16 OD		
14	86253870	730043	2	SKIRT, CASTER SHIELD		
15	86082060	62893	1	PLATE, BRUSH CENTER		
16	86273740	70010	3	SCR, 1/4-20 X 1.2 HHCS SS		
17	86010810	87191	3	WASHER, 1/4" ID X 1.0 OD FLAT SS		
18	86259870	89223	2	WHEEL, 1.25 TREAD X 6 DIA		
19	86276750	70722	2	SCR, 5/16-18 X 2.5 FHSC SS		
20	OPEN	-	-	-		
21	OPEN	-	-	-		
22	86087880	730035	2	STRAP, SKIRT SIDE		
23	86007320	730029	1	SKIRT, 17" SCRUBBER		
24	86276620	70699	8	SCR, 10-24 X 1/2 PTHMS SS		

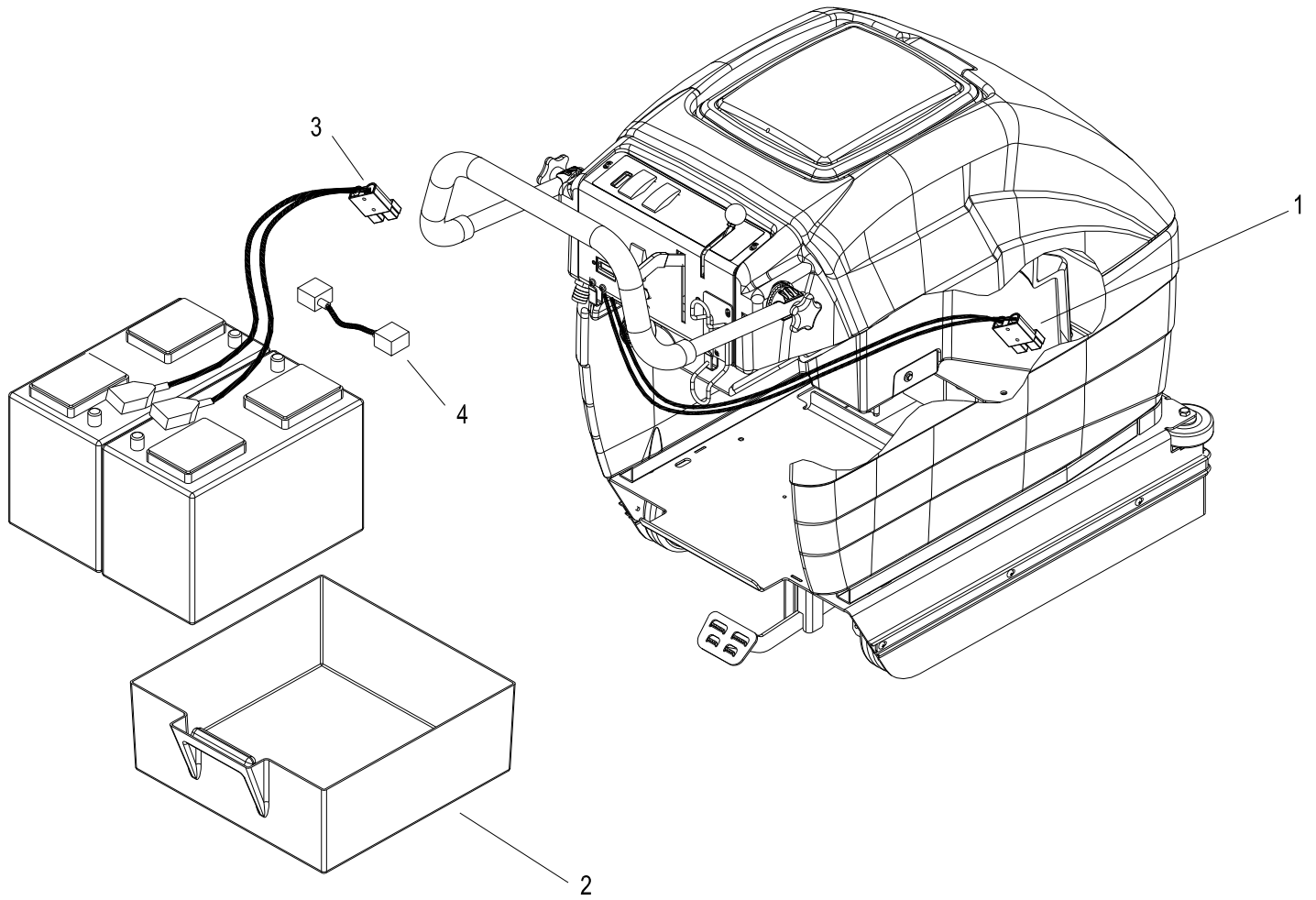
ONBOARD CHARGER



ONBOARD CHARGER

REF	PART NO.	PRV NO.	QTY	DESCRIPTION	SERIAL NO. FROM	NOTES:
1	86216670	270051	1	CHARGER, CURTIS 1208FS MOD		
2	86215790	140880	1	BRKT, 17 IN CHARGER		
3	86215780	140879	1	BRKT, TOP 17 IN CHARGER		
4	86218060	35357	2	GASKET, 4.25 L X .55 W X .38		
5	86220720	501033	1	LABEL, CHARGER 1608FS		SERVICE ONLY
6A	86234390	23725	1	CORD ASM, 16/3 SJTW X 2M IEC		THAILAND, TAIWAN, US SERVICE PART
6B	86217090	23726	1	CORD ASM, 16/3 AUST X IEC		AUSTRALIA, CHINA SERVICE PART
6C	86217100	23727	1	CORD ASM, 16/3 UK X IEC		MALAYSIA, HONG KONG, SINGAPORE, UK SERVICE PART
6D	86217110	23728	1	CORD ASM, 16/3 EURO X IEC		INDONESIA, KOREA, EURO SERVICE PART
6E	86217130	23730	1	CORD ASM, 18/3 SWISS X IEC		SWISS SERVICE PART
6F	86017340	23731	1	CORD ASM, 16/3 INDIA X IEC		INDIA SERVICE PART
7	86274290	70162	4	SCR, 10-32 X 3/8 PPHMS SS		
8	86279190	87095	4	WASHER, #10 FLAT PLTD		
9	86198450	20005	1	CLAMP, 5/16 NYLON		

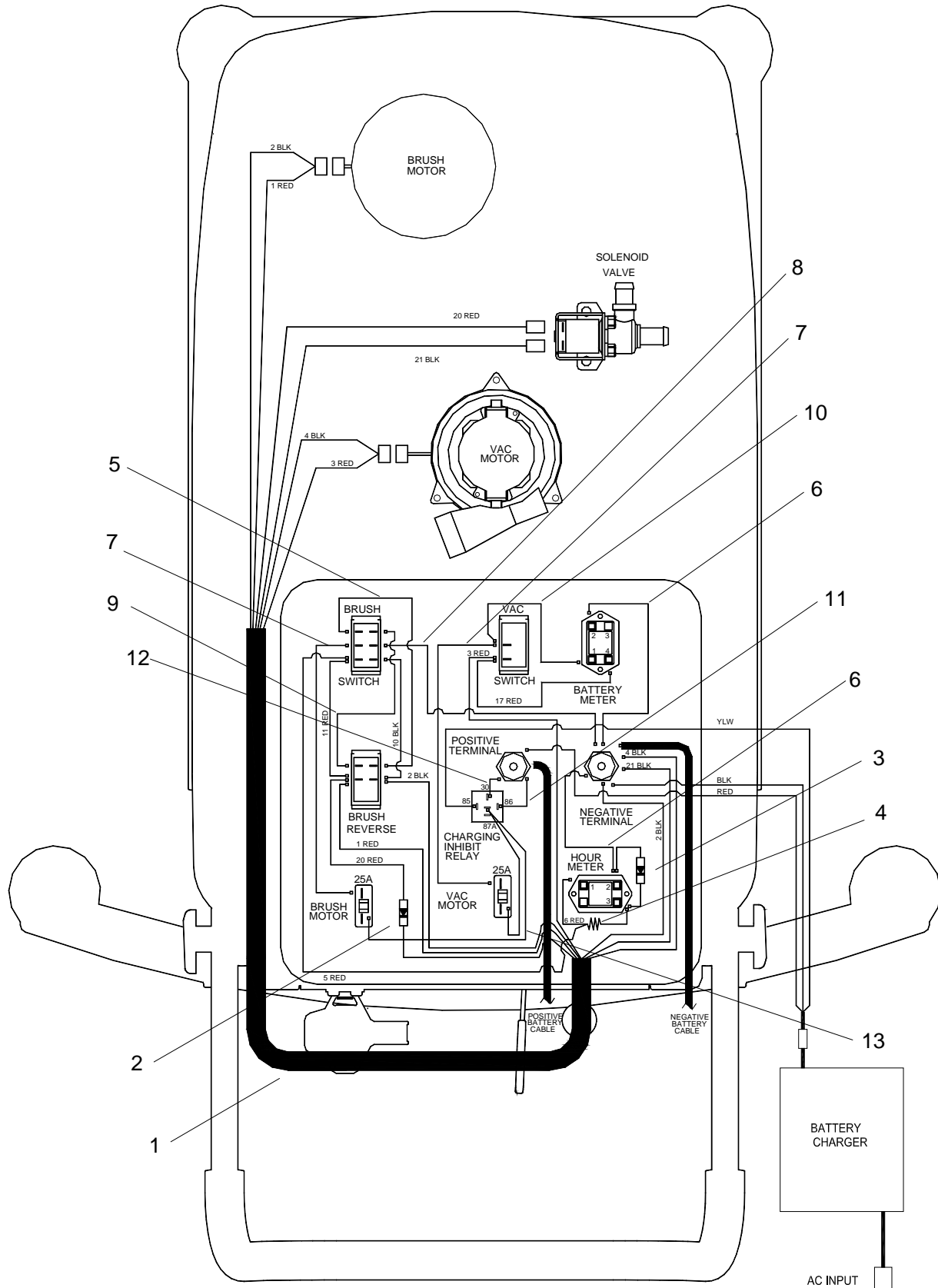
WIRING-BATTERY CABLES



WIRING-BATTERY CABLES

REF	PART NO.	PRV NO.	QTY	DESCRIPTION	SERIAL NO. FROM	NOTES:
1	86260470	880268	1	WIRE ASM, 26.5 6G RNG X C TERM		
2	86225330	78942	1	TRAY, BATTERY INJ MOLDED		
3	86002540	23174	1	BATTERY CBL ASM, 2 X 21 W/ANDRSN		
4	86002510	23125	1	WIRE, 4 X 15 B CLAMP X B CLAMP		

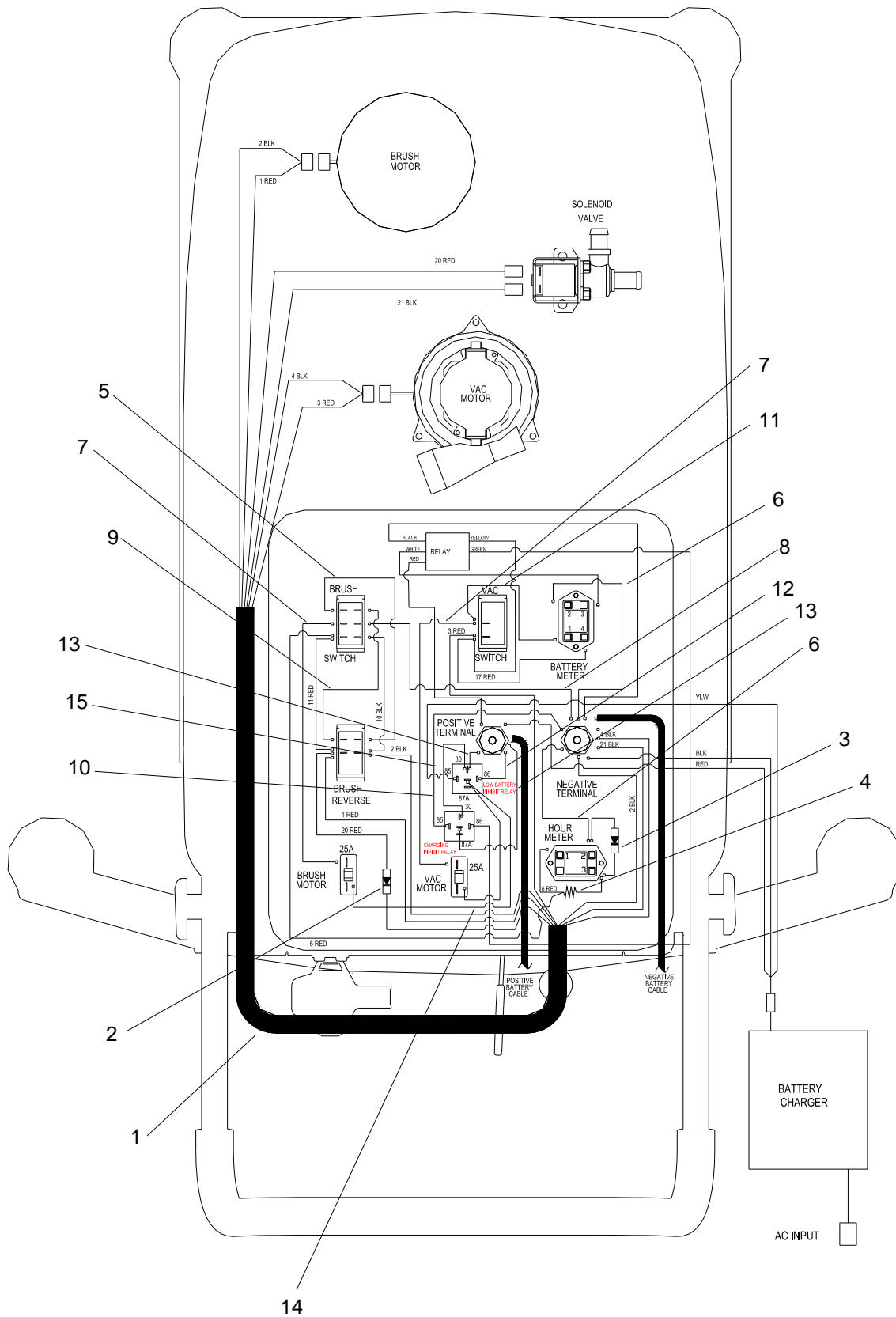
WIRING-MAIN HARNESS- ALL EXCEPT QSC172, SCHC172 & SCH172



WIRING-MAIN HARNESS-ALL EXCEPT QSC172, SCHC172 & SCH172

REF	PART NO.	PRV NO.	QTY	DESCRIPTION	SERIAL NO. FROM	NOTES:
1	86218890	880448	1	HARNESS, SCRUBBER 172		
2	86261230	29242	1	DIODE ASM, 76031 X 76042		
3	86261240	29243	1	DIODE ASM, 76031 X 76031		
4	86261340	67457	1	RESISTOR ASM, 2.7K OHM 1 WATT		
5	86268570	88401	1	WIRE, 3" BLK/14 76029 X 76029		
6	86267420	880283	2	WIRE, 3.5 BLK/18 76011 X 76040		
7	86267410	880282	2	WIRE, 6" RED/14 76010 X 76029		
8	86267620	880306	1	WIRE, 5.5 BLK/14 76001 X 76029		
9	86268380	88286	1	WIRE, 4" RED/14 76029 X 76029		
10	86226170	880447	1	WIRE, 5" RED/18 76031 X 76047		
11	86226190	880450	1	WIRE, 11.5" RED/14 76001 X 76029		
12	86268030	880456	1	WIRE, 14" RED/10 76081 X 76064		
13	86226210	880457	1	WIRE, 9" RED/12 76064 X 76076		

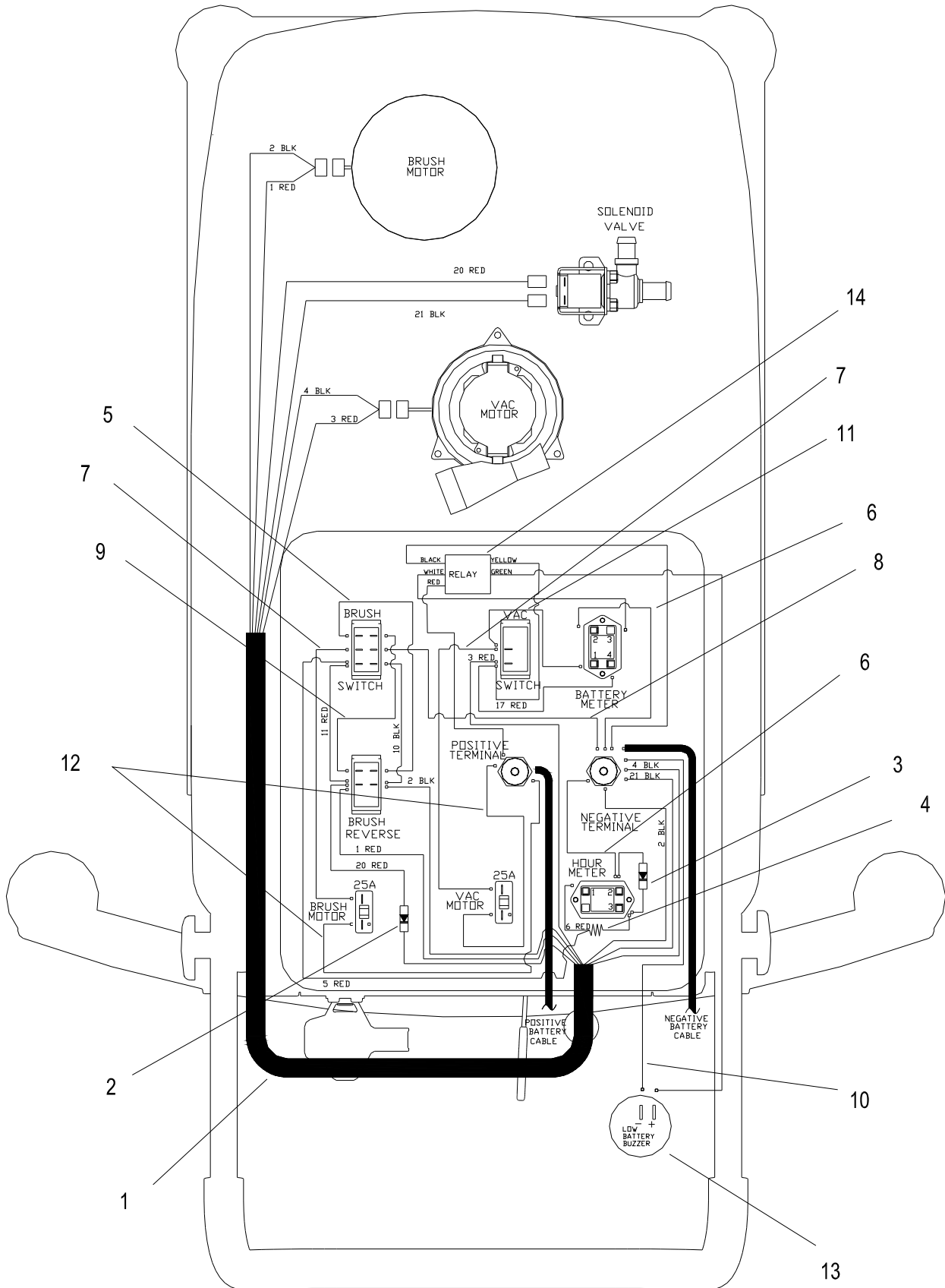
WIRING-MAIN HARNESS-SCHC172



WIRING-MAIN HARNESS-SCHC172

REF	PART NO.	PRV NO.	QTY	DESCRIPTION	SERIAL NO. FROM	NOTES:
1	86218890	880448	1	HARNESS, SCRUBBER 172		
2	86261230	29242	1	DIODE ASM, 76031 X 76042		
3	86261240	29243	1	DIODE ASM, 76031 X 76031		
4	86261340	67457	1	RESISTOR ASM, 2.7K OHM 1 WATT		
5	86268570	88401	1	WIRE, 3" BLK/14 76029 X 76029		
6	86267420	880283	2	WIRE, 3.5 BLK/18 76011 X 76040		
7	86267410	880282	2	WIRE, 6" RED/14 76010 X 76029		
8	86267620	880306	1	WIRE, 5.5 BLK/14 76001 X 76029		
9	86268380	88286	1	WIRE, 4" RED/14 76029 X 76029		
10	86267360	880271	1	WIRE, 14" BLK/18 76011 X 76040		
11	86226170	880447	1	WIRE, 5" RED/18 76031 X 76047		
12	86226190	880450	1	WIRE, 11.5" RED/14 76001 X 76029		
13	86268030	880456	2	WIRE, 14" RED/10 76081 X 76064		
14	86226210	880457	1	WIRE, 9" RED/12 76064 X 76076		
15	86014120	-	1	WIRE, 6" RED/10 76064 X 76064		

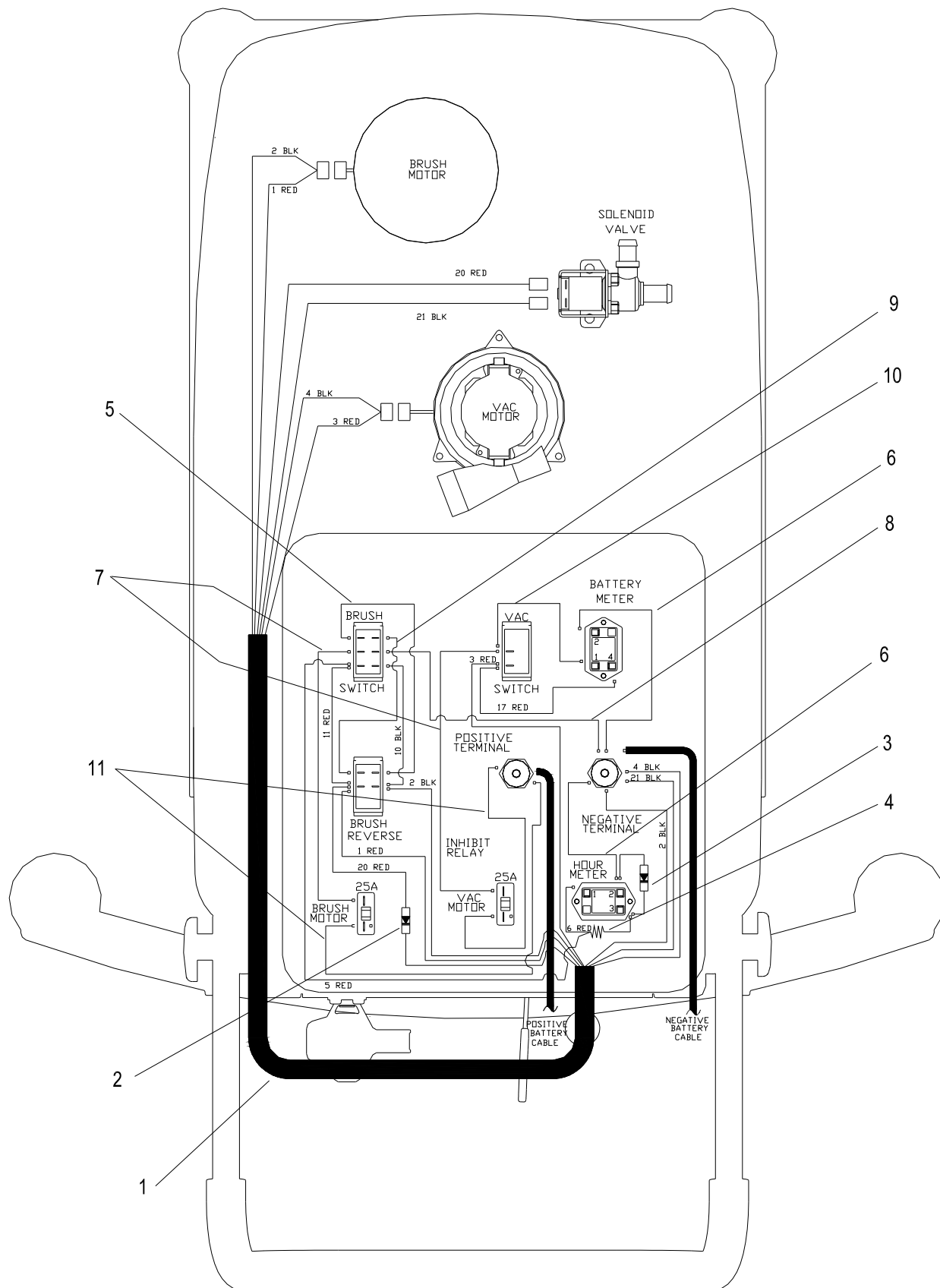
WIRING-MAIN HARNESS-SCH172



WIRING-MAIN HARNESS-SCH172

REF	PART NO.	PRV NO.	QTY	DESCRIPTION	SERIAL NO. FROM	NOTES:
1	86218890	880448	1	HARNESS, SCRUBBER 172		
2	86261230	29242	1	DIODE ASM, 76031 X 76042		
3	86261240	29243	1	DIODE ASM, 76031 X 76031		
4	86261340	67457	1	RESISTOR ASM, 2.7K OHM 1 WATT		
5	86268570	88401	1	WIRE, 3" BLK/14 76029 X 76029		
6	86267420	880283	2	WIRE, 3.5 BLK/18 76011 X 76040		
7	86267410	880282	2	WIRE, 6" RED/14 76010 X 76029		
8	86267620	880306	1	WIRE, 5.5 BLK/14 76001 X 76029		
9	86268380	88286	1	WIRE, 4" RED/14 76029 X 76029		
10	86267360	880271	1	WIRE, 14" BLK/18 76011 X 76040		
11	86226170	880447	1	WIRE, 5" RED/18 76031 X 76047		
12	86267430	880284	1	WIRE, 4.5 RED/14 76001 X 76029		
13	86231500	80882	1	BUZZER, PIEZO 6-28VDC		
14	86251400	67495	1	RELAY, BATTERY METER OUTPUT		

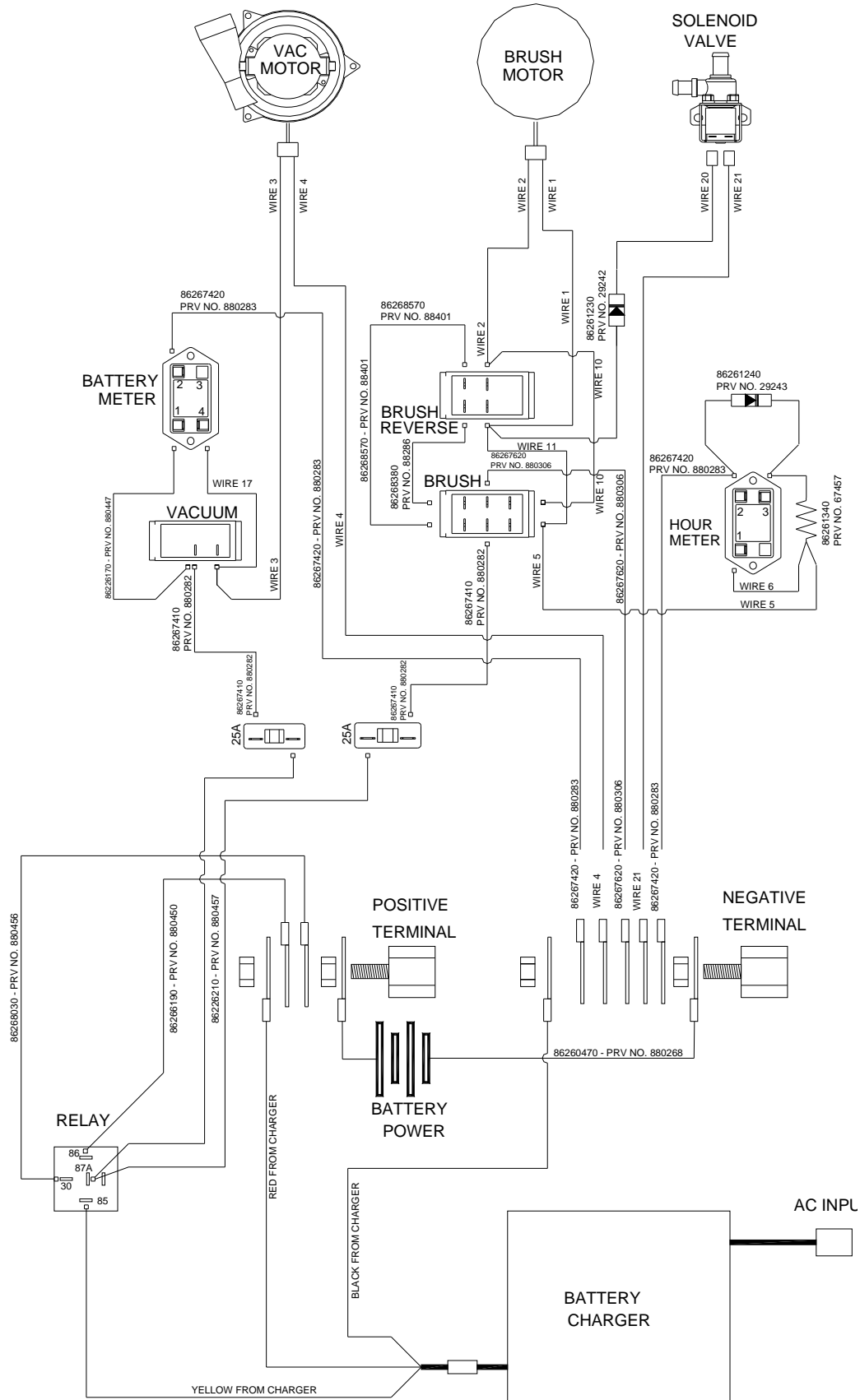
WIRING-MAIN HARNESS-QSC172



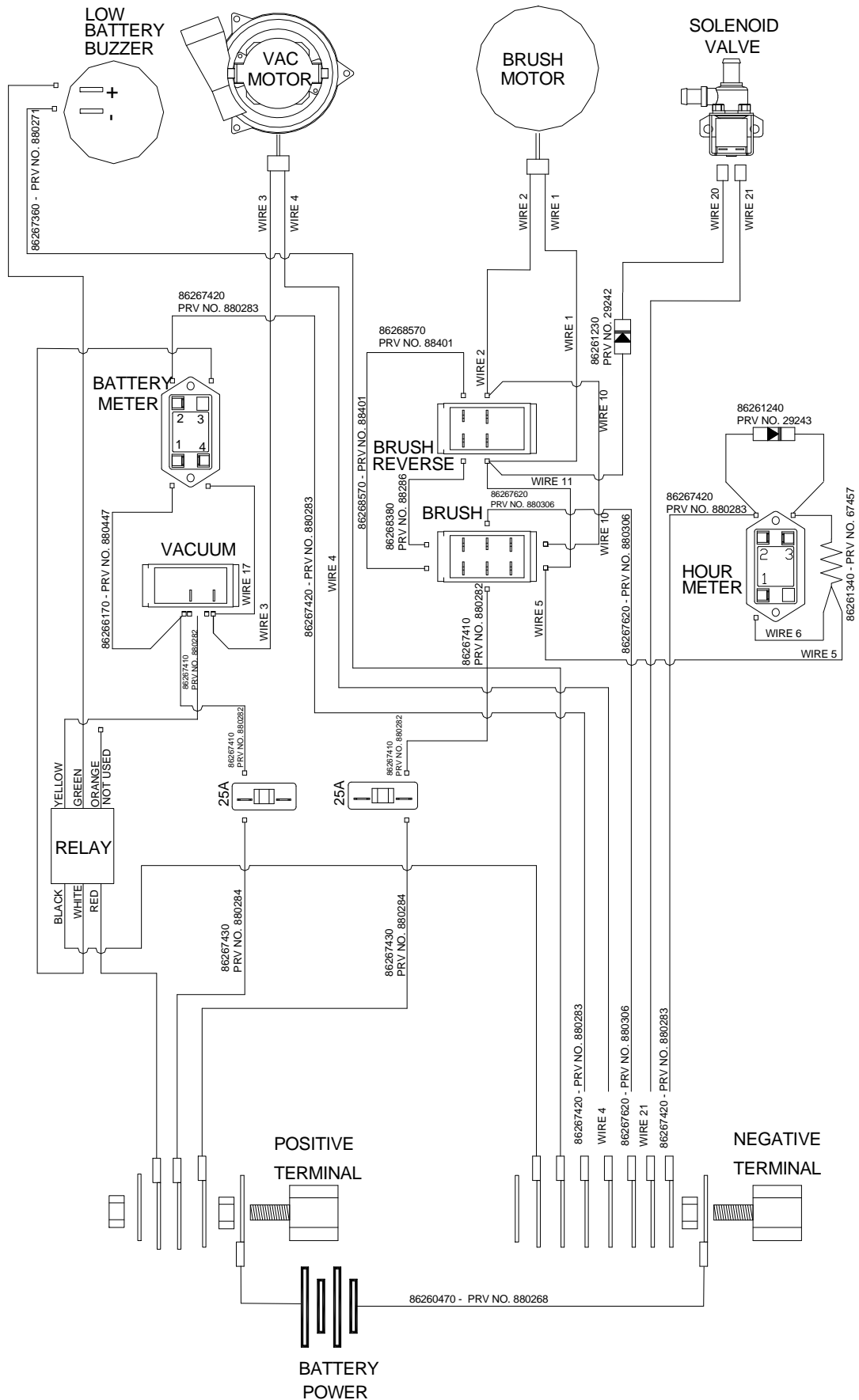
WIRING—MAIN HARNESS QSC172

REF	PART NO.	PRV NO.	QTY	DESCRIPTION	SERIAL NO. FROM	NOTES:
1	86218890	880448	1	HARNESS, SCRUBBER 172		
2	86261230	29242	1	DIODE ASM, 76031 X 76042		
3	86261240	29243	1	DIODE ASM, 76031 X 76031		
4	86261340	67457	1	RESISTOR ASM, 2.7K OHM 1 WATT		
5	86268570	88401	1	WIRE, 3" BLK/14 76029 X 76029		
6	86267420	880283	2	WIRE, 3.5 BLK/18 76011 X 76040		
7	86267410	880282	2	WIRE, 6" RED/14 76010 X 76029		
8	86267620	880306	1	WIRE, 5.5 BLK/14 76001 X 76029		
9	86268380	88286	1	WIRE, 4" RED/14 76029 X 76029		
10	86226170	880447	1	WIRE, 5" RED/18 76031 X 76047		
11	86267430	880284	2	WIRE, 4.5 RED/14 76001 X 76029		

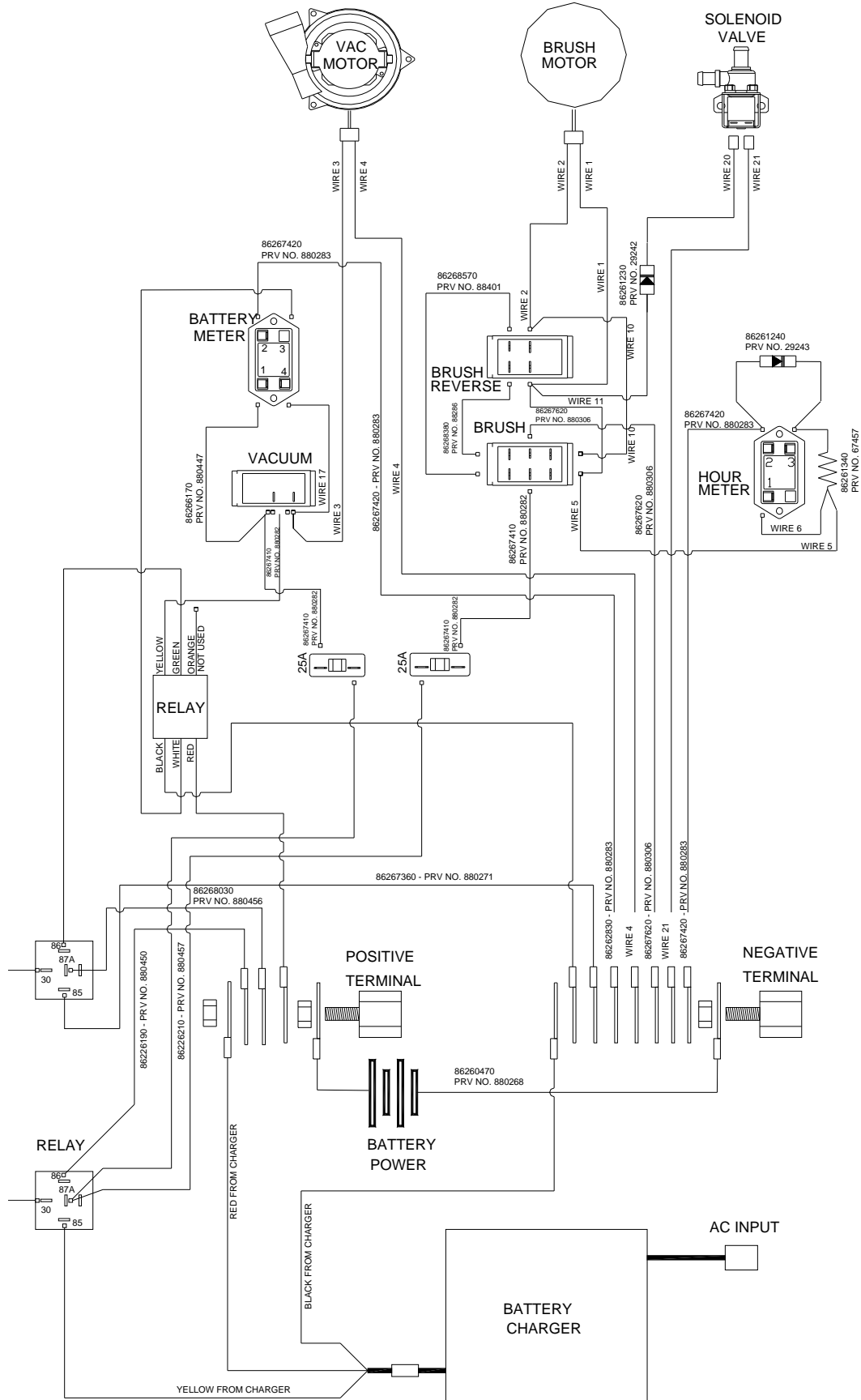
WIRING-SCHEMATIC- ALL EXCEPT QSC172, SCHC172 & SCH172



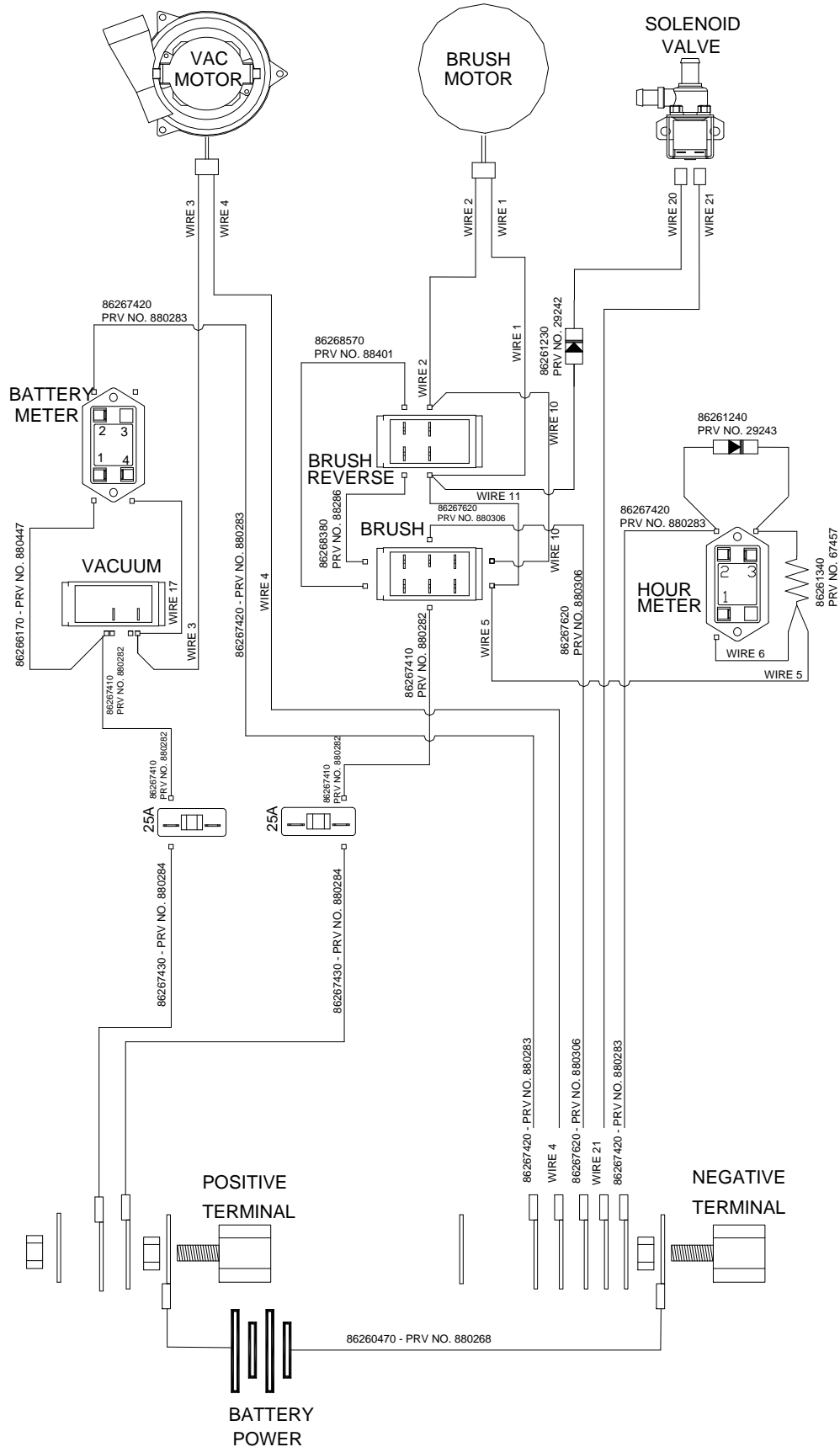
WIRING-SCHEMATIC-SCH172



WIRING-SCHEMATIC-SCHC172



WIRING-SCHEMATIC-QSC172



SUGGESTED SPARE PARTS

PART NO.	PRV NO.	DESCRIPTION	SERIAL NO. FROM	NOTES:
86215680	140931	BREAKER, 25A 250VAC 50VDC		
86135310	140686	BRUSH SET, 24/36V VAC, WINDSOR		
86001360	140394	BRUSH SET, CCL MOTORS		
86002510	23125	WIRE 4 X 15 BCLAMP X BCLAMP		
86002540	23174	WIRE ASM 2X21 BATTERY W/ ANDERSON		
86003630	34351	FLOAT SHUT-OFF		
86003760	35166	GASKET, VAC MTR		
86003980	35249	GASKET, SQG. .13 THK X 8.00 LG		
86219690	48080	KNOB, 1.5 OD X 5/16-18		
86242100	48083	KNOB, SOLUTION LEVER		
86007320	730029	SKIRT, 17 IN SCRUBBER		
86224610	730359	SPRING, BRUSH CLIP		
86007350	730040	STRAINER, 3/8" NPT 20 MESH		
86007360	730057	BLADE, SQUEEGEE FRONT		
86007610	730227	BLADE, SQUEEGEE REAR		
86252520	80885	SAFETY DECAL, BATTERY CAUTION		
86252540	81505	SAFETY DECAL, SOLUTION WARNING		